



3" 40 CARBON PIPE
 1 1/2" X 1 1/2" X 1/4" STEEL TUBING
 SET AT 45 DEGREES
 4" TUBING, 3/16" WALL THICKNESS

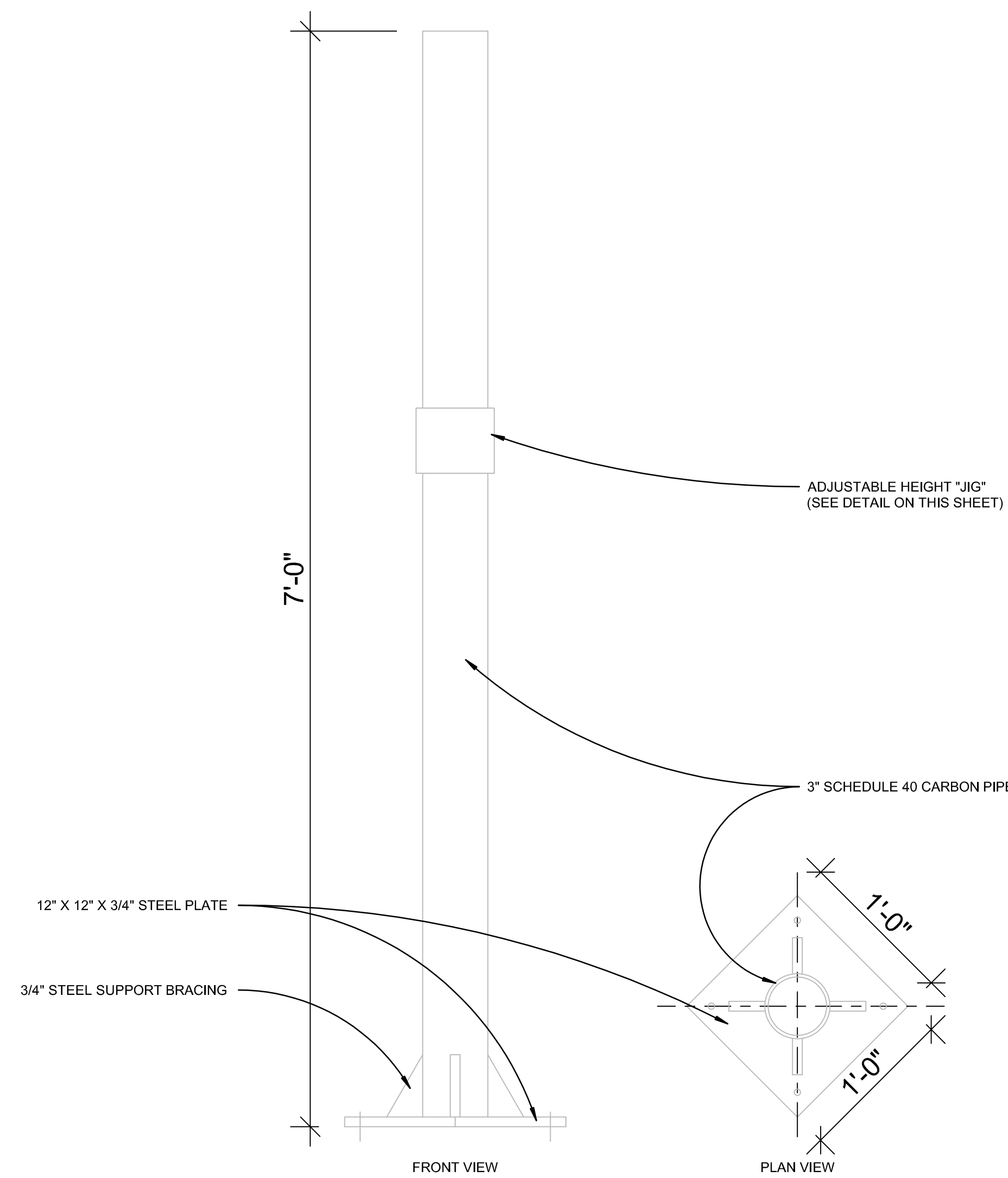


WELDED TEE HANDLE ON 5/8"
 THREADED BOLT (GRADE 8)
 TUBING SLEEVE WITH TIGHTENING
 BOLT (GRADE 8, 5/8" THREADED
 BOLT)
 1 1/2" X 1 1/2" X 1/4" STEEL TUBING
 SET AT 90 DEGREES (CLAMP SLIDES
 OVER TUBING)
 SLIDE ON CLAMP W/ TIGHTENING
 BOLT 2" X 2" X 3/16"

NOTE: MANUFACTURER SHALL DUPLICATE DESIGN AND DIMENSIONS OF EXISTING JIG AND JIG POST AT WELDING LAB ON SPARTANBURG COMMUNITY COLLEGE CAMPUS IN SPARTANBURG, SC

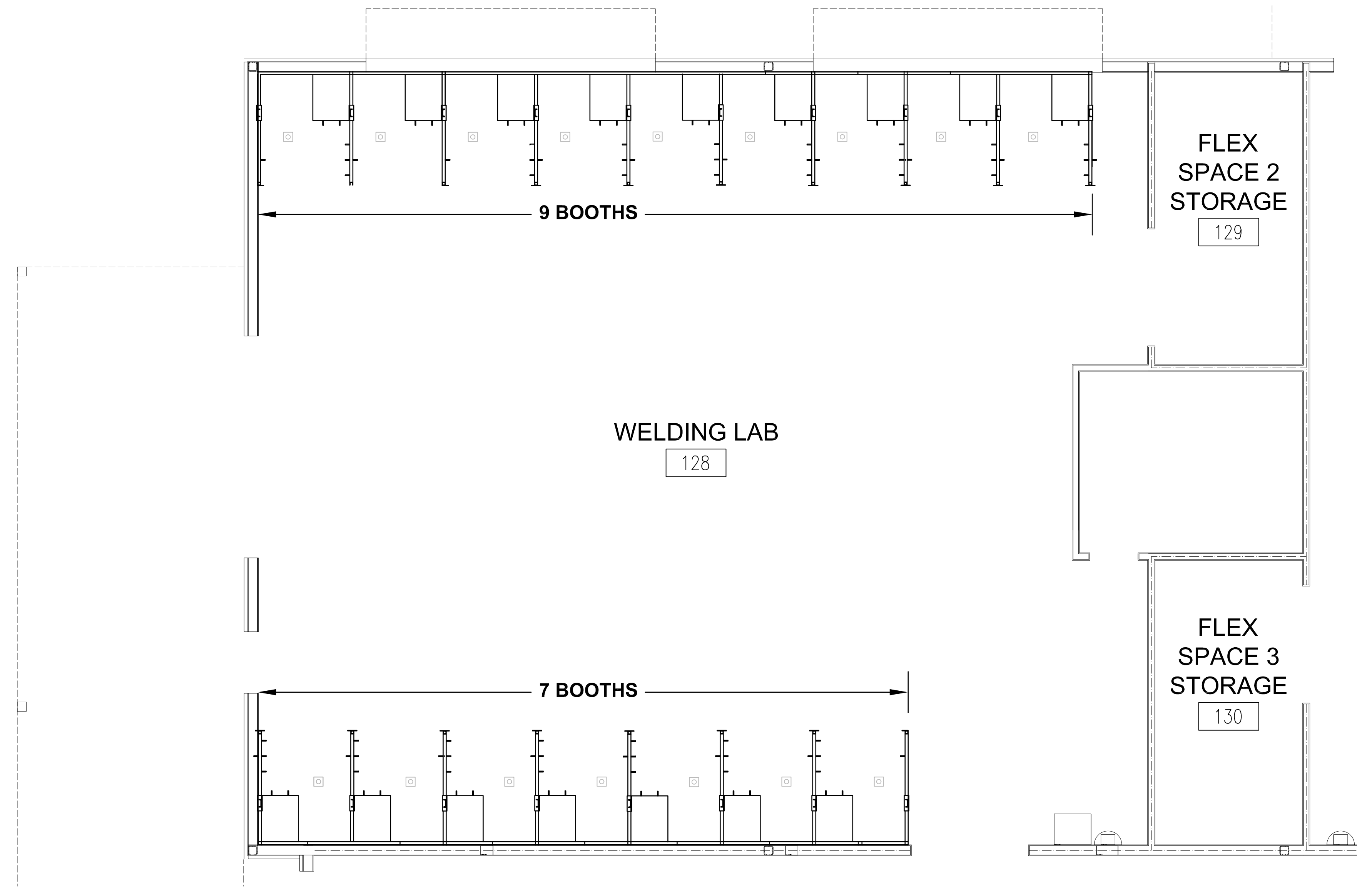
QUANTITY: 1 JIG ASSEMBLY PER JIG POST (16 TOTAL)

JIG ASSEMBLY
 NOT TO SCALE

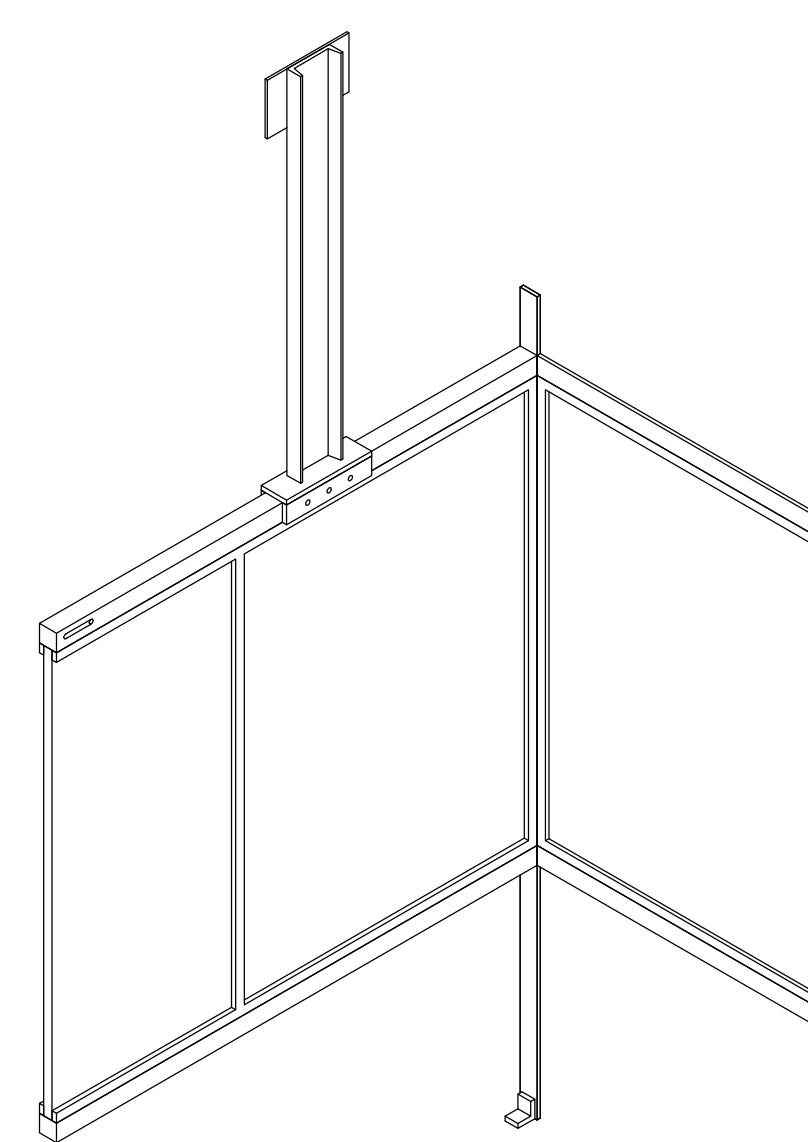


QUANTITY: 16 POSTS

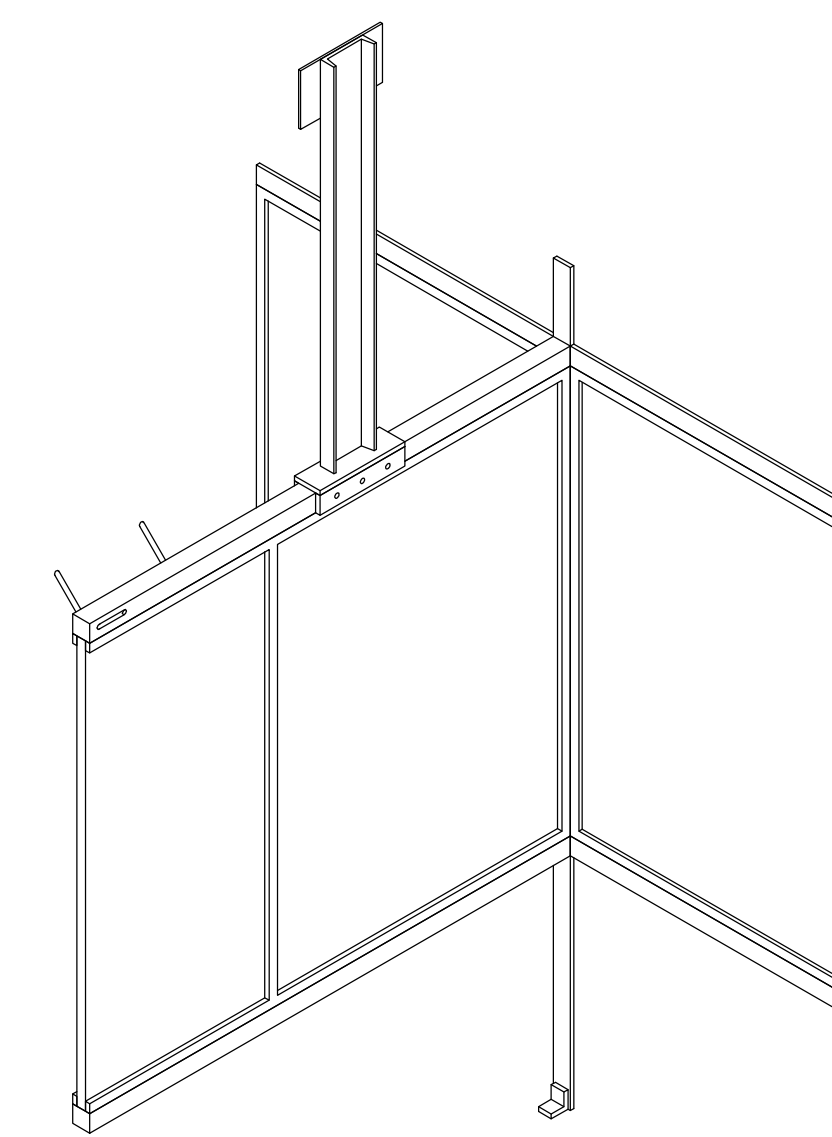
JIG POST
 NOT TO SCALE



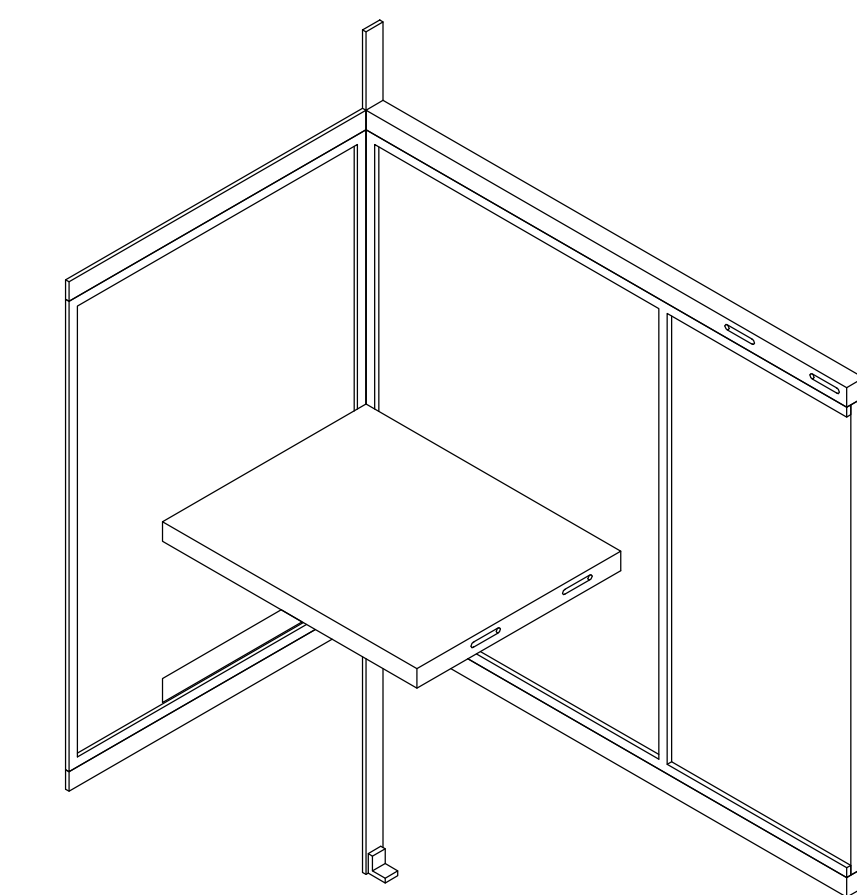
WELDING LAB FLOOR PLAN
 SCALE: 1/4" = 1'-0"



LL SHAPE WELDING BOOTH



T-SHAPE WELDING BOOTH



LR SHAPE WELDING BOOTH

BOOTH SECTION ISOMETRIC VIEWS