



**SPARTANBURG
COMMUNITY
COLLEGE**

Invitation for Bid

Solicitation: SCC-371
 Date Issued: 02/14/2017
 Procurement Officer: Tami Steed
 Phone: 864-592-4671
 E-Mail Address: steedt@sccsc.edu
 Mailing Address: Spartanburg Community College
 PO Box 4386
 Spartanburg SC 29305

DESCRIPTION: **MONUMENT SIGN FOR BUSINESS I-85 & NEW CUT RD INTERCHANGE**
 USING GOVERNMENTAL UNIT: **SPARTANBURG COMMUNITY COLLEGE**

SUBMIT YOUR SEALED OFFER AT THE FOLLOWING:

MAILING ADDRESS:
 SPARTANBURG COMMUNITY COLLEGE
 PURCHASING OFFICE
 PO BOX 4386
 SPARTANBURG SC 29305

PHYSICAL ADDRESS:
 SPARTANBURG COMMUNITY COLLEGE
 PURCHASING OFFICE Ledbetter Bldg Rm 238
 107 Community College Drive
 Spartanburg SC 29303

SUBMIT OFFER BY (Opening Date/Time): **03/02/2017 2:00 P.M.** (See "Deadline For Submission Of Offer" provision)

QUESTIONS MUST BE RECEIVED BY: **02/22/2017 2:00 P.M.** (See "Questions From Offerors" provision)

NUMBER OF COPIES TO BE SUBMITTED: **One (1) Original Document**

CONFERENCE TYPE: **Pre-Bid/Site Visit Conference**
 DATE & TIME: **02/21/2017 3:00 P.M.**

(As appropriate, see "Conferences - Pre-Bid/Proposal" & "Site Visit" provisions)

LOCATION:
**Spartanburg Community College
 Ledbetter Bldg Conference Rm 230
 103 Community College Drive
 Spartanburg, SC 29303**

AWARD &
 AMENDMENTS

Award will be posted on **03/03/2017**. The award, this solicitation, any amendments, and any related notices will be posted at the following web address: <http://www.sccsc.edu/vendors>

You must submit a signed copy of this form with Your Offer. By signing, You agree to be bound by the terms of the Solicitation. You agree to hold Your Offer open for a minimum of thirty (30) calendar days after the Opening Date.
 (See "Signing Your Offer" provision.)

NAME OF OFFEROR

(full legal name of business submitting the offer)

Any award issued will be issued to, and the contract will be formed with, the entity identified as the Offeror. The entity named as the offeror must be a single and distinct legal entity. Do not use the name of a branch office or a division of a larger entity if the branch or division is not a separate legal entity, i.e., a separate corporation, partnership, sole proprietorship, etc.

AUTHORIZED SIGNATURE

(Person must be authorized to submit binding offer to contract on behalf of Offeror.)

DATE SIGNED

TITLE

(business title of person signing above)

STATE VENDOR NO.

(Register to Obtain S.C. Vendor No. at www.procurement.sc.gov)

PRINTED NAME

(printed name of person signing above)

STATE OF INCORPORATION

(If you are a corporation, identify the state of incorporation.)

OFFEROR'S TYPE OF ENTITY: (Check one)

(See "Signing Your Offer" provision.)

Sole Proprietorship Partnership Other _____

Corporate entity (not tax-exempt) Corporation (tax-exempt) Government entity (federal, state, or local)

PAGE TWO

(Return Page Two with Your Offer)

HOME OFFICE ADDRESS (Address for offeror's home office / principal place of business)	NOTICE ADDRESS (Address to which all procurement and contract related notices should be sent.) (See "Notice" clause)
	_____ Area Code - Number - Extension Facsimile _____ E- mail Address

PAYMENT ADDRESS (Address to which payments will be sent.) (See "Payment" clause)	ORDER ADDRESS (Address to which purchase orders will be sent) (See "Purchase Orders and "Contract Documents" clauses)
_____ Payment Address same as Home Office Address _____ Payment Address same as Notice Address (check only one)	_____ Order Address same as Home Office Address _____ Order Address same as Notice Address (check only one)

ACKNOWLEDGMENT OF AMENDMENTS
 Offerors acknowledges receipt of amendments by indicating amendment number and its date of issue. (See "Amendments to Solicitation" Provision)

Amendment No.	Amendment Issue Date	Amendment No.	Amendment Issue Date	Amendment No.	Amendment Issue Date	Amendment No.	Amendment Issue Date

DISCOUNT FOR PROMPT PAYMENT (See "Discount for Prompt Payment" clause)	10 Calendar Days (%)	20 Calendar Days (%)	30 Calendar Days (%)	_____ Calendar Days (%)
--	----------------------	----------------------	----------------------	-------------------------

PREFERENCES - A NOTICE TO VENDORS (SEP. 2009): On June 16, 2009, the South Carolina General Assembly rewrote the law governing preferences available to in-state vendors, vendors using in-state subcontractors, and vendors selling in-state or US end products. This law appears in Section 11-35-1524 of the South Carolina Code of Laws. A summary of the new preferences is available at www.procurement.sc.gov/preferences. ***ALL THE PREFERENCES MUST BE CLAIMED AND ARE APPLIED BY LINE ITEM, REGARDLESS OF WHETHER AWARD IS MADE BY ITEM OR LOT. VENDORS ARE CAUTIONED TO CAREFULLY REVIEW THE STATUTE BEFORE CLAIMING ANY PREFERENCES. THE REQUIREMENTS TO QUALIFY HAVE CHANGED. IF YOU REQUEST A PREFERENCE, YOU ARE CERTIFYING THAT YOUR OFFER QUALIFIES FOR THE PREFERENCE YOU'VE CLAIMED. IMPROPERLY REQUESTING A PREFERENCE CAN HAVE SERIOUS CONSEQUENCES.*** [11-35-1524(E)(4)&(6)]

PREFERENCES - ADDRESS AND PHONE OF IN-STATE OFFICE: Please provide the address and phone number for your in-state office in the space provided below. An in-state office is necessary to claim either the Resident Vendor Preference (11-35-1524(C)(1)(i)&(ii)) or the Resident Contractor Preference (11-35-1524(C)(1)(iii)). Accordingly, you must provide this information to qualify for the preference. An in-state office is not required, but can be beneficial, if you are claiming the Resident Subcontractor Preference (11-35-1524(D)).

_____ In-State Office Address same as Home Office Address

_____ In-State Office Address same as Notice Address (check only one)

Table of Contents

SECTION_I	5	
ACQUIRE SERVICES and SUPPLIES / EQUIPMENT (JAN 2006)	5	
SECTION_IIA	5	
DEFINITIONS (DEC 2015)	5	
AMENDMENTS TO SOLICITATION (JAN 2004)	5	
AUTHORIZED AGENT (FEB 2015)	6	
AWARD NOTIFICATION (FEB 2015)	6	
BID/PROPOSAL AS OFFER TO CONTRACT (JAN 2004)	6	
BID ACCEPTANCE PERIOD (JAN 2004)	6	
BID IN ENGLISH and DOLLARS (JAN 2004)	6	
CERTIFICATE OF INDEPENDENT PRICE DETERMINATION (MAY 2008)	6	
CERTIFICATION REGARDING DEBARMENT AND OTHER RESPONSIBILITY MATTERS (JAN 2004)		7
CODE OF LAWS AVAILABLE (JAN 2006)	7	
DISCLOSURE OF CONFLICTS OF INTEREST OR UNFAIR COMPETITIVE ADVANTAGE (FEB 2015)	7	
DEADLINE FOR SUBMISSION OF OFFER (JAN 2004)	7	
DRUG FREE WORK PLACE CERTIFICATION (JAN 2004)	7	
DUTY TO INQUIRE (FEB 2015)	8	
ETHICS CERTIFICATE (MAY 2008)	8	
IRAN DIVESTMENT ACT CERTIFICATION (DEC 2015)	8	
OMIT TAXES FROM PRICE (JAN 2004)	8	
OPEN TRADE REPRESENTATION (JUN 2015)	8	
PROTESTS (JUNE 2006)	8	
PROHIBITED COMMUNICATIONS AND DONATIONS (FEB 2015)	8	
PUBLIC OPENING (JAN 2004)	9	
QUESTIONS FROM OFFERORS (FEB 2015)	9	
REJECTION/CANCELLATION (JAN 2004)	9	
RESPONSIVENESS/IMPROPER OFFERS (JUN 2015)	9	
SIGNING YOUR OFFER (JAN 2004)	9	
STATE OFFICE CLOSINGS (JAN 2004)	10	
SUBMITTING CONFIDENTIAL INFORMATION (FEB 2015)	10	
SUBMITTING A PAPER OFFER OR MODIFICATION (Modified)	10	
TAX CREDIT FOR SUBCONTRACTING WITH DISADVANTAGED SMALL BUSINESSES (JAN 2008)		10
VENDOR REGISTRATION MANDATORY (JAN 2006)	11	
WITHDRAWAL OR CORRECTION OF OFFER (JAN 2004)	11	
SECTION_IIB	11	
CLARIFICATION (NOV 2007)	11	
MAIL PICKUP (JAN 2006)	11	
PROTEST - CPO - MMO ADDRESS (JUNE 2006)	12	
SECTION_III	13	
SECTION_IV	15	
INFORMATION FOR OFFERORS TO SUBMIT -- GENERAL (JAN 2006)	15	
MINORITY PARTICIPATION (DEC 2015)	15	
SECTION_V	16	
QUALIFICATION OF OFFEROR (MAR 2015)	16	
SUBCONTRACTOR -- IDENTIFICATION (FEB 2015)	16	
SECTION_VI	16	
AWARD CRITERIA -- BIDS (JAN 2006)	16	
COMPETITION FROM PUBLIC ENTITIES (JAN 2006)	17	
UNIT PRICE GOVERNS (JAN 2006)	17	
SECTION_VIIA	17	
ASSIGNMENT, NOVATION, AND CHANGE OF NAME, IDENTITY, OR STRUCTURE (FEB 2015)		17
BANKRUPTCY (FEB 2015)	17	
CHOICE-OF-LAW (JAN 2006)	17	
CONTRACT DOCUMENTS and ORDER OF PRECEDENCE (FEB 2015)	17	
DISCOUNT FOR PROMPT PAYMENT (JAN 2006)	18	
DISPUTES (JAN 2006)	18	
EQUAL OPPORTUNITY (JAN 2006)	18	
FALSE CLAIMS (JAN 2006)	18	
FIXED PRICING REQUIRED (JAN 2006)	18	
NO INDEMNITY OR DEFENSE (FEB 2015)	18	
OPEN TRADE (JUN 2015)	18	
NOTICE (JAN 2006)	18	
PAYMENT & INTEREST (FEB 2015)	19	
PUBLICITY (JAN 2006)	19	
PURCHASE ORDERS (JAN 2006)	19	

IRAN DIVESTMENT ACT – ONGOING OBLIGATIONS (JAN 2015)	19
SURVIVAL OF OBLIGATIONS (JAN 2006)	19
TAXES (JAN 2006)	19
TERMINATION DUE TO UNAVAILABILITY OF FUNDS (JAN 2006)	19
THIRD PARTY BENEFICIARY (JAN 2006)	19
WAIVER (JAN 2006)	20
SECTION_VIIB	20
CHANGES (JAN 2006)	20
CISG (JAN 2006)	20
COMPLIANCE WITH LAWS (JAN 2006)	20
CONTRACTOR'S LIABILITY INSURANCE (FEB 2015)	20
CONTRACTOR PERSONNEL (JAN 2006)	21
CONTRACTOR'S OBLIGATION -- GENERAL (JAN 2006)	21
CONTRACTOR'S USE OF STATE PROPERTY (JAN 2006)	21
DEFAULT (JAN 2006)	21
DISPOSAL OF PACKAGING (JAN 2006)	22
ILLEGAL IMMIGRATION (NOV 2008)	22
INDEMNIFICATION -- THIRD PARTY CLAIMS (NOV 2011)	22
LICENSES AND PERMITS (JAN 2006)	23
MATERIAL AND WORKMANSHIP (JAN 2006)	23
PRICE ADJUSTMENT (JAN 2006)	23
RELATIONSHIP OF THE PARTIES (JAN 2006)	23
SHIPPING / RISK OF LOSS (JAN 2006)	23
TERMINATION FOR CONVENIENCE (JAN 2006)	23
SECTION_VIII	25
BIDDING SCHEDULE (NOV 2007)	25
SECTION_IX	26
NONRESIDENT TAXPAYER REGISTRATION AFFIDAVIT INCOME TAX WITHHOLDING	27
OFFEROR'S CHECKLIST (JUN 2007)	29

I. SCOPE OF SOLICITATION

Spartanburg Community College intends to award a contract to a vendor who will furnish all equipment, materials and labor necessary to construct one (1) monument sign at Business I-85/New Cut Road Southbound Interchange in Spartanburg, SC. The Contractor will coordinate the project with local zoning officials and obtain any necessary permitting. All components on the sign shall be U.L. approved, as applicable. Structural design is per the structural engineering and final design renderings and are to be adhered to as per the project documents in the specifications.

ACQUIRE SERVICES and SUPPLIES / EQUIPMENT (JAN 2006)

The purpose of this solicitation is to acquire services and supplies or equipment complying with the enclosed description and/or specifications and conditions. [01-1005-1]

II. INSTRUCTIONS TO OFFERORS - A. GENERAL INSTRUCTIONS

DEFINITIONS, CAPITALIZATION, AND HEADINGS (DEC 2015)

CLAUSE HEADINGS USED IN THIS SOLICITATION ARE FOR CONVENIENCE ONLY AND SHALL NOT BE USED TO CONSTRUE MEANING OR INTENT. EVEN IF NOT CAPITALIZED, THE FOLLOWING DEFINITIONS ARE APPLICABLE TO ALL PARTS OF THE SOLICITATION, UNLESS EXPRESSLY PROVIDED OTHERWISE.

AMENDMENT means a document issued to supplement the original solicitation document.

AUTHORITY means the State Fiscal Accountability Authority or its successor in interest.

BUSINESS means any corporation, partnership, individual, sole proprietorship, joint stock company, joint venture, or any other legal entity. [11-35-310(3)]

CHANGE ORDER means any written alteration in specifications, delivery point, rate of delivery, period of performance, price, quantity, or other provisions of any contract accomplished by mutual agreement of the parties to the contract. [11-35-310(4)]

CONTRACT See clause entitled Contract Documents & Order of Precedence.

CONTRACT MODIFICATION means a written order signed by the procurement officer, directing the contractor to make changes which the clause of the contract titled "Changes," if included herein, authorizes the Procurement Officer to order without the consent of the contractor. [11-35-310(9)]

CONTRACTOR means the Offeror receiving an award as a result of this solicitation.

COVER PAGE means the top page of the original solicitation on which the solicitation is identified by number. Offerors are cautioned that Amendments may modify information provided on the Cover Page.

OFFER means the bid or proposal submitted in response this solicitation. The terms Bid and Proposal are used interchangeably with the term Offer.

OFFEROR means the single legal entity submitting the offer. The term Bidder is used interchangeably with the term Offeror. See bidding provisions entitled Signing Your Offer and Bid/Proposal As Offer To Contract.

PAGE TWO means the second page of the original solicitation, which is labeled Page Two.

PROCUREMENT OFFICER means the person, or his successor, identified as such on either the Cover Page, an amendment, or an award notice.

YOU and YOUR means Offeror.

SOLICITATION means this document, including all its parts, attachments, and any Amendments.

STATE means the Using Governmental Unit(s) identified on the Cover Page.

SUBCONTRACTOR means any person you contract with to perform or provide any part of the work.

US or WE means the using governmental unit.

USING GOVERNMENTAL UNIT means the unit(s) of government identified as such on the Cover Page. If the Cover Page identifies the Using Governmental Unit as "Statewide Term Contract," the phrase "Using Governmental Unit" means any South Carolina Public Procurement Unit [11-35-4610(5)] that has submitted a Purchase Order to you pursuant to the contract resulting from this solicitation. Reference the clauses titled "Purchase Orders" and "Statewide Term Contract."

WORK means all labor, materials, equipment, services, or property of any type, provided or to be provided by the Contractor to fulfill the Contractor's obligations under the Contract.

[02-2A003-3]

AMENDMENTS TO SOLICITATION (JAN 2004)

(a) The Solicitation may be amended at any time prior to opening. All actual and prospective Offerors should monitor the following web site for the issuance of Amendments: www.sccsc.edu/purchasing-solicitations (b) Offerors shall acknowledge receipt of any amendment to this solicitation (1) by signing and returning the amendment, (2) by identifying the amendment number and date in the space provided for this purpose on Page Two, (3) by letter, or (4) by submitting a bid that indicates in some way that the bidder received the amendment. (c) If this solicitation is amended, then all terms and conditions which are not modified remain unchanged. [02-2A005-1]

AUTHORIZED AGENT (FEB 2015)

All authority regarding this procurement is vested solely with the responsible Procurement Officer. Unless specifically delegated in writing, the Procurement Officer is the only government official authorized to bind the government with regard to this procurement or the resulting contract. [02-2A007-1]

AWARD NOTIFICATION (FEB 2015)

Notice regarding any award, cancellation of award, or extension of award will be posted at the location and on the date specified on the Cover Page or, if applicable, any notice of extension of award. Should the contract resulting from this Solicitation have a total or potential value of one hundred thousand dollars or more, such notice will be sent to all Offerors responding to the Solicitation and any award will not be effective until the eleventh day after such notice is given. [02-2A010-2]

BID/PROPOSAL AS OFFER TO CONTRACT (JAN 2004)

By submitting Your Bid or Proposal, You are offering to enter into a contract with the Using Governmental Unit(s). Without further action by either party, a binding contract shall result upon final award. Any award issued will be issued to, and the contract will be formed with, the entity identified as the Offeror on the Cover Page. An Offer may be submitted by only one legal entity; "joint bids" are not allowed. [02-2A015-1]

BID ACCEPTANCE PERIOD (JAN 2004)

In order to withdraw Your Offer after the minimum period specified on the Cover Page, You must notify the Procurement Officer in writing. [02-2A020-1]

BID IN ENGLISH and DOLLARS (JAN 2004)

Offers submitted in response to this solicitation shall be in the English language and in US dollars, unless otherwise permitted by the Solicitation. [02-2A025-1]

CERTIFICATE OF INDEPENDENT PRICE DETERMINATION (MAY 2008)

GIVING FALSE, MISLEADING, OR INCOMPLETE INFORMATION ON THIS CERTIFICATION MAY RENDER YOU SUBJECT TO PROSECUTION UNDER SECTION 16-9-10 OF THE SOUTH CAROLINA CODE OF LAWS AND OTHER APPLICABLE LAWS.

(a) By submitting an offer, the offeror certifies that-

(1) The prices in this offer have been arrived at independently, without, for the purpose of restricting competition, any consultation, communication, or agreement with any other offeror or competitor relating to-

- (i) Those prices;
- (ii) The intention to submit an offer; or
- (iii) The methods or factors used to calculate the prices offered.

(2) The prices in this offer have not been and will not be knowingly disclosed by the offeror, directly or indirectly, to any other offeror or competitor before bid opening (in the case of a sealed bid solicitation) or contract award (in the case of a negotiated solicitation) unless otherwise required by law; and

(3) No attempt has been made or will be made by the offeror to induce any other concern to submit or not to submit an offer for the purpose of restricting competition.

(b) Each signature on the offer is considered to be a certification by the signatory that the signatory-

(1) Is the person in the offeror's organization responsible for determining the prices being offered in this bid or proposal, and that the signatory has not participated and will not participate in any action contrary to paragraphs (a)(1) through (a)(3) of this certification; or

(2)(i) Has been authorized, in writing, to act as agent for the offeror's principals in certifying that those principals have not participated, and will not participate in any action contrary to paragraphs (a)(1) through (a)(3) of this certification [As used in this subdivision (b)(2)(i), the term "principals" means the person(s) in the offeror's organization responsible for determining the prices offered in this bid or proposal];

(ii) As an authorized agent, does certify that the principals referenced in subdivision (b)(2)(i) of this certification have not participated, and will not participate, in any action contrary to paragraphs (a)(1) through (a)(3) of this certification; and

(iii) As an agent, has not personally participated, and will not participate, in any action contrary to paragraphs (a)(1) through (a)(3) of this certification.

(c) If the offeror deletes or modifies paragraph (a)(2) of this certification, the offeror must furnish with its offer a signed statement setting forth in detail the circumstances of the disclosure. [02-2A032-1]

CERTIFICATION REGARDING DEBARMENT AND OTHER RESPONSIBILITY MATTERS (JAN 2004)

(a) (1) By submitting an Offer, Offeror certifies, to the best of its knowledge and belief, that-

(i) Offeror and/or any of its Principals-

(A) Are not presently debarred, suspended, proposed for debarment, or declared ineligible for the award of contracts by any state or federal agency;

(B) Have not, within a three-year period preceding this offer, been convicted of or had a civil judgment rendered against them for: commission of fraud or a criminal offense in connection with obtaining, attempting to obtain, or performing a public (Federal, state, or local) contract or subcontract; violation of Federal or state antitrust statutes relating to the submission of offers; or commission of embezzlement, theft, forgery, bribery, falsification or destruction of records, making false statements, tax evasion, or receiving stolen property; and

(C) Are not presently indicted for, or otherwise criminally or civilly charged by a governmental entity with, commission of any of the offenses enumerated in paragraph (a)(1)(i)(B) of this provision.

(ii) Offeror has not, within a three-year period preceding this offer, had one or more contracts terminated for default by any public (Federal, state, or local) entity.

(2) "Principals," for the purposes of this certification, means officers; directors; owners; partners; and, persons having primary management or supervisory responsibilities within a business entity (e.g., general manager; plant manager; head of a subsidiary, division, or business segment, and similar positions).

(b) Offeror shall provide immediate written notice to the Procurement Officer if, at any time prior to contract award, Offeror learns that its certification was erroneous when submitted or has become erroneous by reason of changed circumstances.

(c) If Offeror is unable to certify the representations stated in paragraphs (a)(1), Offeror must submit a written explanation regarding its inability to make the certification. The certification will be considered in connection with a review of the Offeror's responsibility. Failure of the Offeror to furnish additional information as requested by the Procurement Officer may render the Offeror nonresponsible.

(d) Nothing contained in the foregoing shall be construed to require establishment of a system of records in order to render, in good faith, the certification required by paragraph (a) of this provision. The knowledge and information of an Offeror is not required to exceed that which is normally possessed by a prudent person in the ordinary course of business dealings.

(e) The certification in paragraph (a) of this provision is a material representation of fact upon which reliance was placed when making award. If it is later determined that the Offeror knowingly or in bad faith rendered an erroneous certification, in addition to other remedies available to the State, the Procurement Officer may terminate the contract resulting from this solicitation for default. [02-2A035-1]

CODE OF LAWS AVAILABLE (JAN 2006)

The South Carolina Code of Laws, including the Consolidated Procurement Code, is available at: <http://www.scstatehouse.gov/code/statmast.php> The South Carolina Regulations are available at: <http://www.scstatehouse.gov/coderegs/statmast.php> [02-2A040-1]

DISCLOSURE OF CONFLICTS OF INTEREST OR UNFAIR COMPETITIVE ADVANTAGE (FEB 2015)

You warrant and represent that your offer identifies and explains any unfair competitive advantage you may have in competing for the proposed contract and any actual or potential conflicts of interest that may arise from your participation in this competition or your receipt of an award. The two underlying principles are (a) preventing the existence of conflicting roles that might bias a contractor's judgment, and (b) preventing an unfair competitive advantage. If you have an unfair competitive advantage or a conflict of interest, the state may withhold award. Before withholding award on these grounds, an offeror will be notified of the concerns and provided a reasonable opportunity to respond. Efforts to avoid or mitigate such concerns, including restrictions on future activities, may be considered. Without limiting the foregoing, you represent that your offer identifies any services that relate to either this solicitation or the work and that has already been performed by you, a proposed subcontractor, or an affiliated business of either. [02-2A047-2]

DEADLINE FOR SUBMISSION OF OFFER (JAN 2004)

Any offer received after the Procurement Officer of the governmental body or his designee has declared that the time set for opening has arrived, shall be rejected unless the offer has been delivered to the designated purchasing office or the governmental bodies mail room which services that purchasing office prior to the bid opening. [R.19-445.2070(H)] [02-2A050-1]

DRUG FREE WORK PLACE CERTIFICATION (JAN 2004)

By submitting an Offer, Contractor certifies that, if awarded a contract, Contractor will comply with all applicable provisions of The Drug-free Workplace Act, Title 44, Chapter 107 of the South Carolina Code of Laws, as amended. [02-2A065-1]

DUTY TO INQUIRE (FEB 2015)

Offeror, by submitting an Offer, represents that it has read and understands the Solicitation and that its Offer is made in compliance with the Solicitation. Offerors are expected to examine the Solicitation thoroughly and should request an explanation of any ambiguities, discrepancies, errors, omissions, or conflicting statements in the Solicitation. Failure to do so will be at the Offeror's risk. All ambiguities, discrepancies, errors, omissions, or conflicting statements in the Solicitation shall be interpreted to require the better quality or greater quantity of work and/or materials, unless otherwise directed by amendment. Offeror assumes responsibility for any patent ambiguity in the Solicitation that Offeror does not bring to the State's attention. See clause entitled "Questions from Offerors." [02-2A070-2]

ETHICS CERTIFICATE (MAY 2008)

By submitting an offer, the offeror certifies that the offeror has and will comply with, and has not, and will not, induce a person to violate Title 8, Chapter 13 of the South Carolina Code of Laws, as amended (ethics act). The following statutes require special attention: Section 8-13-700, regarding use of official position for financial gain; Section 8-13-705, regarding gifts to influence action of public official; Section 8-13-720, regarding offering money for advice or assistance of public official; Sections 8-13-755 and 8-13-760, regarding restrictions on employment by former public official; Section 8-13-775, prohibiting public official with economic interests from acting on contracts; Section 8-13-790, regarding recovery of kickbacks; Section 8-13-1150, regarding statements to be filed by consultants; and Section 8-13-1342, regarding restrictions on contributions by contractor to candidate who participated in awarding of contract. The state may rescind any contract and recover all amounts expended as a result of any action taken in violation of this provision. If contractor participates, directly or indirectly, in the evaluation or award of public contracts, including without limitation, change orders or task orders regarding a public contract, contractor shall, if required by law to file such a statement, provide the statement required by Section 8-13-1150 to the procurement officer at the same time the law requires the statement to be filed. [02-2A075-2]

IRAN DIVESTMENT ACT - CERTIFICATION (DEC 2015)

(a) The Iran Divestment Act List is a list published by the Authority pursuant to Section 11-57-310 that identifies persons engaged in investment activities in Iran. Currently, the list is available at the following URL: <http://procurement.sc.gov/PS/PS-iran-divestment.phtm> (.) Section 11-57-310 requires the government to provide a person ninety days written notice before he is included on the list. The following representation, which is required by Section 11-57-330(A), is a material inducement for the State to award a contract to you. (b) By signing your Offer, you certify that, as of the date you sign, you are not on the then-current version of the Iran Divestment Act List. (c) You must notify the Procurement Officer immediately if, at any time before posting of a final statement of award, you are added to the Iran Divestment Act List. [02-2A077-2]

OMIT TAXES FROM PRICE (JAN 2004)

Do not include any sales or use taxes in Your price that the State may be required to pay. [02-2A080-1]

OPEN TRADE REPRESENTATION (JUN 2015)

By submitting an Offer, Offeror represents that Offeror is not currently engaged in the boycott of a person or an entity based in or doing business with a jurisdiction with whom South Carolina can enjoy open trade, as defined in SC Code Section 11-35-5300. [02-2A083-1]

PROTESTS (JUNE 2006)

Any prospective bidder, offeror, contractor, or subcontractor who is aggrieved in connection with the solicitation of a contract shall protest within fifteen days of the date of issuance of the applicable solicitation document at issue. Any actual bidder, offeror, contractor, or subcontractor who is aggrieved in connection with the intended award or award of a contract shall protest within ten days of the date notification of award is posted in accordance with this code. A protest shall be in writing, shall set forth the grounds of the protest and the relief requested with enough particularity to give notice of the issues to be decided, and must be received by the appropriate Chief Procurement Officer within the time provided. See clause entitled "Protest-CPO". [§ 11-35-4210] [02-2A085-1]

PROHIBITED COMMUNICATIONS AND DONATIONS (FEB 2015)

Violation of these restrictions may result in disqualification of your offer, suspension or debarment, and may constitute a violation of law.

(a) During the period between publication of the solicitation and final award, ***you must not communicate, directly or indirectly, with the Using Governmental Unit or its employees, agents or officials regarding any aspect of this procurement activity***, unless otherwise approved in writing by the Procurement Officer. All communications must be solely with the Procurement Officer. [R. 19-445.2010]

(b) You are advised to familiarize yourself with Regulation 19-445.2165, which restricts donations to a governmental entity with whom you have or seek to have a contract. ***You represent that your offer discloses any gifts made, directly or through an intermediary, by you or your named subcontractors to or for the benefit of the Using Governmental Unit during the period beginning eighteen months prior to the Opening Date.*** [R. 19-445.2165] [02-2A087-1]

PUBLIC OPENING (JAN 2004)

Offers will be publicly opened at the date/time and at the location identified on the Cover Page, or last Amendment, whichever is applicable. [02-2A090-1]

QUESTIONS FROM OFFERORS (FEB 2015)

(a) Any prospective offeror desiring an explanation or interpretation of the solicitation, drawings, specifications, etc., must request it in writing. Questions regarding the original solicitation or any amendment must be received by the Procurement Officer no later than five (5) days prior to opening unless an earlier date is stated on the Cover Page. Label any communication regarding your questions with the name of the procurement officer, and the solicitation's title and number. Oral explanations or instructions will not be binding. [See R. 19-445.2042(B)] Any information given a prospective offeror concerning a solicitation will be furnished promptly to all other prospective offerors as an Amendment to the solicitation, if that information is necessary for submitting offers or if the lack of it would be prejudicial to other prospective offerors. See clause entitled "Duty to Inquire." **We will not identify you in our answer to your question.** (b) The State seeks to permit maximum practicable competition. Offerors are urged to advise the Procurement Officer -- as soon as possible -- regarding any aspect of this procurement, including any aspect of the Solicitation that unnecessarily or inappropriately limits full and open competition. [See R. 19-445.2140] [02-2A095-2] **Written questions may be emailed to steedt@scsc.edu prior to 02/22/2017 at 2:00 PM.**

REJECTION/CANCELLATION (JAN 2004)

The State may cancel this solicitation in whole or in part. The State may reject any or all proposals in whole or in part. [SC Code Section 11-35-1710 & R.19-445.2065] [02-2A100-1]

RESPONSIVENESS/IMPROPER OFFERS (JUN 2015)

(a) Bid as Specified. Offers for supplies or services other than those specified will not be considered unless authorized by the Solicitation.

(b) Multiple Offers. Offerors may submit more than one Offer, provided that each Offer has significant differences other than price. Each separate Offer must satisfy all Solicitation requirements. If this solicitation is an Invitation for Bids, each separate offer must be submitted as a separate document. If this solicitation is a Request for Proposals, multiple offers may be submitted as one document, provided that you clearly differentiate between each offer and you submit a separate cost proposal for each offer, if applicable.

(c) Responsiveness. Any Offer which fails to conform to the material requirements of the Solicitation may be rejected as nonresponsive. Offers which impose conditions that modify material requirements of the Solicitation may be rejected. If a fixed price is required, an Offer will be rejected if the total possible cost to the State cannot be determined. Offerors will not be given an opportunity to correct any material nonconformity. Any deficiency resulting from a minor informality may be cured or waived at the sole discretion of the Procurement Officer. [R.19-445.2070 and Section 11-35-1520(13)]

(d) Price Reasonableness: Any offer may be rejected if the Procurement Officer determines in writing that it is unreasonable as to price. [R. 19-445.2070].

(e) Unbalanced Bidding. The State may reject an Offer as nonresponsive if the prices bid are materially unbalanced between line items or subline items. A bid is materially unbalanced when it is based on prices significantly less than cost for some work and prices which are significantly overstated in relation to cost for other work, and if there is a reasonable doubt that the bid will result in the lowest overall cost to the State even though it may be the low evaluated bid, or if it is so unbalanced as to be tantamount to allowing an advance payment.

(f) **Do not submit bid samples or descriptive literature unless expressly requested.** Unsolicited bid samples or descriptive literature will not be examined or tested, will not be used to determine responsiveness, and will not be deemed to vary any of the provisions of the solicitation. S.C. Code Ann. Reg. 19-445.2077(D). [02-2A105-2]

SIGNING YOUR OFFER (JAN 2004)

Every Offer must be signed by an individual with actual authority to bind the Offeror. (a) If the Offeror is an individual, the Offer must be signed by that individual. If the Offeror is an individual doing business as a firm, the Offer must be submitted in the firm name, signed by the individual, and state that the individual is doing business as a firm. (b) If the Offeror is a partnership, the Offer must be submitted in the partnership name, followed by the words by its Partner, and signed by a general partner. (c) If the Offeror is a corporation, the Offer must be submitted in the corporate name, followed by the signature and title of the person authorized to sign. (d) An Offer may be submitted by a joint venturer involving any combination of individuals, partnerships, or corporations. If the Offeror is a joint venture, the Offer must be submitted in the name of the Joint Venture and signed by every participant in the joint venture in the manner prescribed in paragraphs (a)

through (c) above for each type of participant. (e) If an Offer is signed by an agent, other than as stated in subparagraphs (a) through (d) above, the Offer must state that it has been signed by an Agent. Upon request, Offeror must provide proof of the agent's authorization to bind the principal. [02-2A115-1]

STATE OFFICE CLOSINGS (JAN 2004)

If an emergency or unanticipated event interrupts normal government processes so that offers cannot be received at the government office designated for receipt of bids by the exact time specified in the solicitation, the time specified for receipt of offers will be deemed to be extended to the same time of day specified in the solicitation on the first work day on which normal government processes resume. In lieu of an automatic extension, an Amendment may be issued to reschedule bid opening. If state offices are closed at the time a pre-bid or pre-proposal conference is scheduled, an Amendment will be issued to reschedule the conference. Useful information may be available at: <https://www.sccsc.edu/alert/> [02-2A120-1]

SUBMITTING CONFIDENTIAL INFORMATION (FEB 2015)

(An overview is available at www.procurement.sc.gov) For every document Offeror submits in response to or with regard to this solicitation or request, Offeror must separately mark with the word "CONFIDENTIAL" every page, or portion thereof, that Offeror contends contains information that is exempt from public disclosure because it is either (a) a trade secret as defined in Section 30-4-40(a)(1), or (b) privileged and confidential, as that phrase is used in Section 11-35-410. For every document Offeror submits in response to or with regard to this solicitation or request, Offeror must separately mark with the words "TRADE SECRET" every page, or portion thereof, that Offeror contends contains a trade secret as that term is defined by Section 39-8-20 of the Trade Secrets Act. For every document Offeror submits in response to or with regard to this solicitation or request, Offeror must separately mark with the word "PROTECTED" every page, or portion thereof, that Offeror contends is protected by Section 11-35-1810. All markings must be conspicuous; use color, bold, underlining, or some other method in order to conspicuously distinguish the mark from the other text. Do not mark your entire response (bid, proposal, quote, etc.) as confidential, trade secret, or protected. If your response, or any part thereof, is improperly marked as confidential or trade secret or protected, the State may, in its sole discretion, determine it nonresponsive. If only portions of a page are subject to some protection, do not mark the entire page. By submitting a response to this solicitation or request, Offeror (1) agrees to the public disclosure of every page of every document regarding this solicitation or request that was submitted at any time prior to entering into a contract (including, but not limited to, documents contained in a response, documents submitted to clarify a response, and documents submitted during negotiations), unless the page is conspicuously marked "TRADE SECRET" or "CONFIDENTIAL" or "PROTECTED", (2) agrees that any information not marked, as required by these bidding instructions, as a "Trade Secret" is not a trade secret as defined by the Trade Secrets Act, and (3) agrees that, notwithstanding any claims or markings otherwise, any prices, commissions, discounts, or other financial figures used to determine the award, as well as the final contract amount, are subject to public disclosure. In determining whether to release documents, the State will detrimentally rely on Offeror's marking of documents, as required by these bidding instructions, as being either "Confidential" or "Trade Secret" or "PROTECTED". By submitting a response, Offeror agrees to defend, indemnify and hold harmless the State of South Carolina, its agencies, officers and employees, from every claim, demand, loss, expense, cost, damage or injury, including attorney's fees, arising out of or resulting from withholding information by the State of South Carolina or any of its agencies, that Offeror marked as "confidential" or "trade secret" or "PROTECTED". (All references to S.C. Code of Laws.) [02-2A125-2]

SUBMITTING A PAPER OFFER OR MODIFICATION (Modified)

(a) All prices and notations should be printed in ink or typewritten. Errors should be crossed out, corrections entered and initialed by the person signing the bid. Do not modify the solicitation document itself (including bid schedule). (b) (1) All copies of the offer or modification, and any other documents required to be submitted with the offer shall be enclosed in a sealed, opaque envelope or package. (2) Submit your offer or modification to the address on the Cover Page. (3) The envelope or package must show the time and date specified for opening, the solicitation number, and the name and address of the bidder. If the offer or modification is sent by mail or special delivery service (UPS, Federal Express, etc.), the outermost envelope or wrapper must be labeled "OFFER ENCLOSED" on the face thereof. (c) If you are responding to more than one solicitation, submit each offer in a separate envelope or package. (d) Submit the number of copies indicated on the Cover Page. (e) Facsimile or e-mail offers, modifications, or withdrawals, will not be considered unless authorized by the Solicitation.

TAX CREDIT FOR SUBCONTRACTING WITH DISADVANTAGED SMALL BUSINESSES (JAN 2008)

Pursuant to Section 12-6-3350, a taxpayer having a contract with this State who subcontracts with a socially and economically disadvantaged small business is eligible for an income tax credit equal to four percent of the payments to that subcontractor for work pursuant to the contract. The subcontractor must be certified as a socially and economically disadvantaged small business as defined in Section 11-35-5010 and regulations pursuant to it. The credit is limited to a maximum of fifty thousand dollars annually. A taxpayer is eligible to claim the credit for ten consecutive taxable years beginning with the taxable year in which the first payment is made to the subcontractor that qualifies for the credit. After the above ten consecutive taxable years, the taxpayer is no longer eligible for the credit. A taxpayer claiming the credit shall maintain evidence of work performed for the contract by the subcontractor. The credit may be claimed on Form TC-2, "Minority Business Credit." A copy of the subcontractor's certificate from the Governor's Office of Small and Minority

Business (OSMBA) is to be attached to the contractor's income tax return. Questions regarding the tax credit and how to file are to be referred to: SC Department of Revenue, Research and Review, Phone: (803) 898-5786, Fax: (803) 898-5888. Questions regarding subcontractor certification are to be referred to: Governor's Office of Small and Minority Business Assistance, Phone: (803) 734-0657, Fax: (803) 734-2498. [02-2A135-1]

VENDOR REGISTRATION MANDATORY (JAN 2006)

You must have a state vendor number to be eligible to submit an offer. To obtain a state vendor number, visit www.procurement.sc.gov and select New Vendor Registration. (To determine if your business is already registered, go to "Vendor Search"). Upon registration, you will be assigned a state vendor number. Vendors must keep their vendor information current. If you are already registered, you can update your information by selecting Change Vendor Registration. (Please note that vendor registration does not substitute for any obligation to register with the S.C. Secretary of State or S.C. Department of Revenue. You can register with the agencies at <http://www.scbos.com/default.htm>) [02-2A145-1]

WITHDRAWAL OR CORRECTION OF OFFER (JAN 2004)

Offers may be withdrawn by written notice received at any time before the exact time set for opening. If the Solicitation authorizes facsimile offers, offers may be withdrawn via facsimile received at any time before the exact time set for opening. A bid may be withdrawn in person by a bidder or its authorized representative if, before the exact time set for opening, the identity of the person requesting withdrawal is established and the person signs a receipt for the bid. The withdrawal and correction of Offers is governed by S.C. Code Section 11-35-1520 and Regulation 19-445.2085. [02-2A150-1]

II. INSTRUCTIONS TO OFFERORS -- B. SPECIAL INSTRUCTIONS

CONFERENCE - PRE-BID/PROPOSAL (JAN 2006)

Pre-Bid/Proposal Conference Date and Time: **02/21/2017 3:00 P.M.**

Location of Pre-Bid/Proposal Conference: **Spartanburg Community College
Ledbetter Building Conference Room 230
103 Community College Drive
Spartanburg, SC 29303**

Due to the importance of all offerors having a clear understanding of the specifications and requirements of this solicitation, a conference of potential offerors will be held on the date specified on the cover page. **Bring a copy of the solicitation with you.** Any changes resulting from this conference will be noted in a written amendment to the solicitation. Your failure to attend will not relieve the Contractor from responsibility for estimating properly the difficulty and cost of successfully performing the work, or for proceeding to successfully perform the work without additional expense to the State. The State assumes no responsibility for any conclusions or interpretations made by the Contractor based on the information made available at the conference. Nor does the State assume responsibility for any understanding reached or representation made concerning conditions which can affect the work by any of its officers or agents before the execution of this contract, unless that understanding or representation is expressly stated in this contract. [02-2B025-1]

This solicitation includes a NON-MANDATORY Pre-Bid Conference. While attendance is not required, Offerors are strongly encouraged to attend and participate. The purpose of the Pre-Bid is to identify items that are in error, unclear or unduly restrictive.

All conference attendees should read the solicitation and develop their questions in preparation for the conference. The pace of the conference will NOT afford individuals enough time to complete an initial review of the document during the conference.

CLARIFICATION (NOV 2007)

Pursuant to Section 11-35-1520(8), the Procurement Officer may elect to communicate with you after opening for the purpose of clarifying either your offer or the requirements of the solicitation. Such communications may be conducted only with offerors who have submitted an offer which obviously conforms in all material aspects to the solicitation. Clarification of an offer must be documented in writing and included with the offer. Clarifications may not be used to revise an offer or the solicitation. [Section 11-35-1520(8); R.19-445.2080] [02-2B055-1]

MAIL PICKUP (JAN 2006)

Spartanburg Community College picks up all mail from The US Postal Service once daily around 8:30 a.m. (excluding weekends and holidays). See provision entitled Deadline for Submission of Offer. [02-2B080-1]

PREFERENCES - A NOTICE TO VENDORS (SEP 2009):

On June 16, 2009, the South Carolina General Assembly rewrote the law governing preferences available to in-state vendors, vendors using

in-state subcontractors, and vendors selling in- state or US end products. This law appears in Section 11-35-1524 of the South Carolina Code of Laws. A summary of the new preferences is available at www.procurement.sc.gov/preferences. ALL THE PREFERENCES MUST BE CLAIMED AND ARE APPLIED BY LINE ITEM, REGARDLESS OF WHETHER AWARD IS MADE BY ITEM OR LOT. VENDORS ARE CAUTIONED TO CAREFULLY REVIEW THE STATUTE BEFORE CLAIMING ANY PREFERENCES. THE REQUIREMENTS TO QUALIFY HAVE CHANGED. IF YOU REQUEST A PREFERENCE, YOU ARE CERTIFYING THAT YOUR OFFER QUALIFIES FOR THE PREFERENCE YOU'VE CLAIMED. IMPROPERLY REQUESTING A PREFERENCE CAN HAVE SERIOUS CONSEQUENCES. [11-35-1524(E)(4)&(6)]

PREFERENCES - SC/US END-PRODUCT (SEP 2009):

Section 11-35-1524 provides a preference to vendors offering South Carolina end-products or US end-products, if those products are made, manufactured, or grown in SC or the US, respectively. An end-product is the tangible project identified for acquisition in this solicitation, including all component parts in final form and ready for the use intended. The terms "made," "manufactured," and "grown" are defined by Section 11-35-1524(A). By signing your offer and checking the appropriate space(s) provided and identified on the bid schedule, you certify that the end-product(s) is either made, manufactured or grown in South Carolina, or other states of the United States, as applicable. Preference will be applied as required by law. Post award substitutions are prohibited. See "Substitutions Prohibited - End Product Preferences (Sep 2009)" provision.

PREFERENCES - RESIDENT CONTRACTOR PREFERENCE (SEP 2009):

To qualify for the RCP, you must maintain an office in this state. An office is a nonmobile place for the regular transaction of business or performance of a particular service which has been operated as such by the bidder for at least one year before the bid opening and during that year the place has been staffed for at least fifty weeks by at least two employees for at least thirty five hours a week each. In addition, you must, at the time you submit your bid, directly employ, or have a documented commitment with, individuals domiciled in South Carolina that will perform services expressly required by the solicitation and your total direct labor cost for those individuals to provide those services must exceed fifty percent of your total bid price. [11-35-1524(C)(1)(iii)] Upon request by the procurement officer, you must identify the persons domiciled in South Carolina that will perform the services involved in the procurement upon which you rely in qualifying for the preference, the services those individuals are to perform, and documentation of the your labor cost for each person identified. If requested, your failure to provide this information promptly will be grounds to deny the preference (and, potentially, for other enforcement action).

PREFERENCES - RESIDENT SUBCONTRACTOR PREFERENCE (SEP 2009):

To qualify for this preference, You must meet the following requirements. (1) You must -- at the time you submit your bid -- have a documented commitment from a single proposed first tier subcontractor to perform some portion of the services expressly required by the solicitation. (2) The subcontractor -- at the time you submit your bid -- must directly employ, or have a documented commitment with, individuals domiciled in South Carolina that will perform services expressly required by the solicitation and the total direct labor cost to the subcontractor for those individuals to provide those services exceeds, as applicable, either twenty percent for a 2% preference or forty percent of bidder's total bid price for a 4% preference. (3) You must identify the subcontractor that will perform the work, the work the subcontractor is to perform, and your factual basis for concluding that the subcontractor's work constitutes the required percentage of the work to be performed in the procurement. [11-35-1524(D)] You can stack this preference, i.e., earn another 2% or 4% preference for each additional qualifying subcontractor, but the preference is capped. [11-35-1524(D)(4), (E)(7)] Upon request by the procurement officer, you must identify the persons domiciled in South Carolina that are to perform the services involved in the procurement upon which you rely in qualifying for the preference, the services those individuals are to perform, the employer of those persons, your relationship with the employer, and documentation of the subcontractor's labor cost for each person identified. If requested, your failure to provide this information promptly will be grounds to deny the preference (and, potentially, for other enforcement action). **YOU WILL NOT RECEIVE THE PREFERENCE UNLESS YOU SPECIFY WHETHER YOU ARE CLAIMING THE 2% OR 4% PREFERENCE AND YOU PROVIDE THE INFORMATION REQUIRED BY ITEM (3) ABOVE.**

PREFERENCES - RESIDENT VENDOR PREFERENCE (SEP 2009):

To qualify for the RVP, you must maintain an office in this state. An office is a nonmobile place for the regular transaction of business or performance of a particular service which has been operated as such by the bidder for at least one year before the bid opening and during that year the place has been staffed for at least fifty weeks by at least two employees for at least thirty five hours a week each. In addition, you must either: (1) maintain at a location in South Carolina at the time of the bid an inventory of expendable items which are representative of the general type of commodities for which the award will be made and which have a minimum total value, based on the bid price, equal to the lesser of fifty thousand dollars [\$50,000] or the annual amount of the contract; or (2) be a manufacturer headquartered and having an annual payroll of at least one million dollars in South Carolina and the end product being sold is either made or processed from raw materials into a finished end product by that manufacturer or its affiliate (as defined in Section 1563 of the Internal Revenue Code).

PROTEST - CPO - MMO ADDRESS (JUN 2006)

Any protest must be addressed to the Chief Procurement Officer, Materials Management Office, and submitted in writing
(a) by email to protest-mmo@mmo.state.sc.us ,
(b) by facsimile at 803-737-0639 , or
(c) by post or delivery to 1201 Main Street, Suite 600, Columbia, SC 29201. [02-2B122-1]

III. SCOPE OF WORK/SPECIFICATIONS

Spartanburg Community College desires to contract to construct one (1) monument sign as stated below:

SPARTANBURG COMMUNITY COLLEGE BUS 85/NEW CUT ROAD INTERCHANGE MONUMENT SIGN SPECIFICATIONS

Specifications:

Monument Sign: 29'8" wide x 14'3" tall x 3' thick monument style sign set at an over-all height of 16'3", above finished grade. Sign to be constructed of HSS columns with augured footings as specified. Structural framing and plates shall be as specified. Non illuminated "WELCOME" topper is reverse aluminum with 1" returns and flat cut lettering. Non-illuminated reverse aluminum stucco finish sign cabinet with flat cut lettering and reverse aluminum emblem with custom printed graphics. Rock masonry will be by contractor and be Tennessee Field Stone with occasional rock flats turned horizontal.

Note: Subsequent to sign being installed, the 2' tall mound base and landscaping will be installed by owner.

See our website for drawings: <https://www.sccsc.edu/purchasing-solicitations/>

Project Schedule: The sign is to be installed and fully operational within 90 days from the date of the notice to proceed.

Color Coordination: The College will provide specific PMS colors to the contractor during the preconstruction meeting.

Electrical: Any electrical or lighting will be the responsibility of the owner.

Masonry: Shall be provided by the contractor and as specified on project drawing documents. The Contractor will acquire sample Tennessee Field Stone and gain SCC approval before obtaining and installing.

Warranties: All structural components and color finishes shall be warranted for 5 years. The warranty shall be written and expressed on the company's letter head.

Access to Site: The Contractor shall have access to the site only where directed by SCC and in cooperation with SCDOT.

Power/Water/Utilities:

The Contractor shall locate all underground utilities and provide any temporary power necessary for the project. Contractor will be responsible to store and haul water to the site as necessary.

Damage to Existing Facilities and Grounds

Any existing facilities, equipment or surfaces damaged by the Contractor shall be repaired or replaced at the Contractor's expense. Repair or replacement shall blend with the existing to provide an undisturbed appearance.

Toilet Facilities

The Contractor will be required to provide toilet facilities near the site if applicable.

Security

The Contractor is responsible for the security of his materials and equipment.

Work Hours

Normal operating hours are 7:30 am to 5:30 pm. Monday through Sunday. The job site will be made available to the contractor.

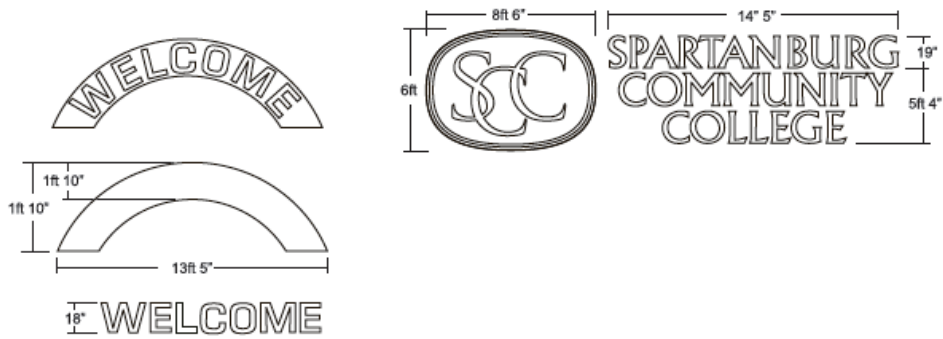
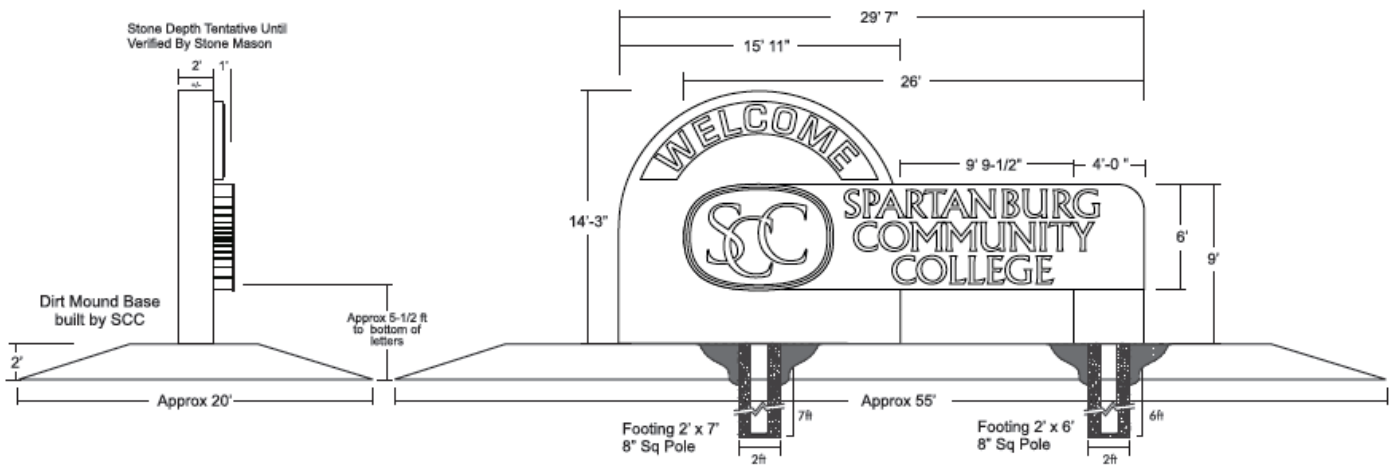
Trash Disposal

The Contractor shall clean the construction area daily of all trash, debris, dirt, dust, equipment, and other accumulation caused by his operations inside and outside the site. The Contractor shall not allow any trash or debris to accumulate that will hinder the Owner's normal operation. Trash shall be removed daily from the site by the Contractor and shall not be stored or stockpiled anywhere on the site or in the Owner's trash containers.

Bidders Qualification

The Contractor must have a South Carolina business license for the fabrication and construction of signs similar to the one being specified. The Contractor must obtain any licenses, required by Spartanburg County, SC.

The Contractor must have an established sign shop within a 75-mile radius of Spartanburg, SC and with staffing, equipment and technology to complete the project as specified and can service and make repairs to the sign either in-house or contracted within three days.



DELIVERY/PERFORMANCE LOCATION -- SPECIFIED

After award, all deliveries shall be made and all services shall be provided at the following address, unless otherwise specified:

Unless otherwise specified, all deliveries shall be made to the following address:

Spartanburg Community College

107 Community College Drive

Spartanburg, SC 29303

QUALITY -- NEW (JAN 2006)

All items must be new. [03-3060-1]

IV. INFORMATION FOR OFFERORS TO SUBMIT

INFORMATION FOR OFFERORS TO SUBMIT -- GENERAL (JAN 2006)

Offeror shall submit a signed Cover Page and Page Two. Offeror should submit all other information and documents requested in this part and in parts II.B. Special Instructions; III. Scope of Work; V. Qualifications; VIII. Bidding Schedule/Price Proposal; and any appropriate attachments addressed in section IX. Attachments to Solicitations. [04-4010-1]

MINORITY PARTICIPATION (DEC 2015)

Is the bidder a South Carolina Certified Minority Business? Yes No

Is the bidder a Minority Business certified by another governmental entity? Yes No

If so, please list the certifying governmental entity: _____

Will any of the work under this contract be performed by a SC certified Minority Business as a subcontractor? Yes No

If so, what percentage of the total value of the contract will be performed by a SC certified Minority Business as a subcontractor?

Will any of the work under this contract be performed by a minority business certified by another governmental entity as a subcontractor? Yes No

If so, what percentage of the total value of the contract will be performed by a minority business certified by another governmental entity as a subcontractor? _____

If a certified Minority Business is participating in this contract, please indicate all categories for which the Business is certified:

- Traditional minority
- Traditional minority, but female
- Women (Caucasian females)
- Hispanic minorities
- DOT referral (Traditional minority)
- DOT referral (Caucasian female)
- Temporary certification
- SBA 8 (a) certification referral
- Other minorities (Native American, Asian, etc.)

(If more than one minority contractor will be utilized in the performance of this contract, please provide the information above for each minority business.)

The Department of Administration, Division of Small and Minority Business Contracting and Certification, publishes a list of certified minority firms. The Minority Business Directory is available at the following URL: <http://osmba.sc.gov/directory.html>
[04-4015-3]

V. QUALIFICATIONS

QUALIFICATIONS OF OFFEROR (MAR 2015)

(1) To be eligible for award, you must have the capability in all respects to perform fully the contract requirements and the integrity and reliability which will assure good faith performance. We may also consider a documented commitment from a satisfactory source that will provide you with a capability. We may consider information from any source at any time prior to award. We may elect to consider (i) key personnel, any predecessor business, and any key personnel of any predecessor business, including any facts arising prior to the date a business was established, and/or (ii) any subcontractor you identify. (2) You must promptly furnish satisfactory evidence of responsibility upon request. Unreasonable failure to supply requested information is grounds for rejection. (3) **Corporate subsidiaries are cautioned that the financial capability of an affiliated or parent company will not be considered in determining financial capability**; however, we may elect to consider any security, e.g., letter of credit, performance bond, parent-company corporate guaranty, that you offer to provide. Instructions and forms to help assure acceptability are posted on procurement.sc.gov, link to "Standard Clauses & Provisions." [05-5005-2]

If requested by SCC to determine responsibility, offeror must provide documentation of financial stability.

If requested by SCC to determine responsibility, offeror must provide a minimum of two (2) references from customers who have purchased the same or a similar product in the last twenty-four (24) months. Offeror will be required to provide a contact name, phone number, email address and brief description of services performed for each reference. Any information requested must be provided within 24 hours of original request.

SUBCONTRACTOR -- IDENTIFICATION (FEB 2015)

If you intend to subcontract, at any tier level, with another business for any portion of the work and that portion either (1) exceeds 10% of your cost, (2) involves access to any "government information," as defined in the clause entitled "Information Security - Definitions," if included, or (3) otherwise involves services critical to your performance of the work (err on the side of inclusion), your offer must identify that business and the work which they are to perform. Identify potential subcontractors by providing the business name, address, phone, taxpayer identification number, **and point of contact**. In determining your responsibility, the state may contact and evaluate your proposed subcontractors. [05-5030-2]

VI. AWARD CRITERIA`

AWARD CRITERIA -- BIDS (JAN 2006)

Award will be made to the lowest responsible and responsive bidder(s). [06-6020-1]

AWARD TO ONE OFFEROR (JAN 2006)

Award will be made to one Offeror. [06-6040-1]

CALCULATING THE LOW BID

Offerors are reminded that they MUST make an offer on (2) line items on this solicitation. Failure to make an offer on all two (2) line items will deem your offer as non-responsive.

In calculating the Low Bid, all pricing will be taken from the Bidding Schedule as shown in Section VIII. of this solicitation. The total sum of all "Extended Price" for Lines 1 – 2 will be used to determine the Total of the Offeror's bid.

The lowest bidder will be determined as the Offeror having the lowest Total Bid Price. (See example below)

EXAMPLE: Pricing used in the following example is NOT a representation of the pricing model anticipated in actual offers and is purely for demonstration purposed only. Using a generic unit price of \$150 for Item 1 and \$250 for Item 2; the following totals would be calculated:

Agency Req.: 74971					
Item	Commodity / Service	Quantity	Unit Of Measure	Unit Price	Extended Price
1		1	LOT		\$150.00
Description: The bidder will supply materials per specifications on Page 13.					

Agency Req.: 74971					
Item	Commodity / Service	Quantity	Unit Of Measure	Unit Price	Extended Price
2		1	LOT		\$250.00
Description: Installation per specifications on Page 13.					

GRAND TOTAL: \$400.00

COMPETITION FROM PUBLIC ENTITIES (JAN 2006)

If a South Carolina governmental entity submits an offer, the Procurement Officer will, when determining the lowest offer, add to the price provided in any offers submitted by non-governmental entities a percentage equivalent to any applicable sales or use tax. S.C. Code Ann. Regs 117-304.1 (Supp. 2004). [06-6057-1]

UNIT PRICE GOVERNS (JAN 2006)

In determining award, unit prices will govern over extended prices unless otherwise stated. [06-6075-1]

VII. TERMS AND CONDITIONS -- A. GENERAL

ASSIGNMENT, NOVATION, AND CHANGE OF NAME, IDENTITY, OR STRUCTURE (FEB 2015)

(a) Contractor shall not assign this contract, or its rights, obligations, or any other interest arising from this contract, or delegate any of its performance obligations, without the express written consent of the responsible procurement officer. The foregoing restriction does not apply to a transfer that occurs by operation of law (e.g., bankruptcy; corporate reorganizations and consolidations, but not including partial asset sales). Notwithstanding the foregoing, contractor may assign monies receivable under the contract provided that the state shall have no obligation to make payment to an assignee until thirty days after contractor (not the assignee) has provided the responsible procurement officer with (i) proof of the assignment, (ii) the identity (by contract number) of the specific state contract to which the assignment applies, and (iii) the name of the assignee and the exact address or account information to which assigned payments should be made. (b) If contractor amends, modifies, or otherwise changes its name, its identity (including its trade name), or its corporate, partnership or other structure, or its FEIN, contractor shall provide the procurement officer prompt written notice of such change. (c) Any name change, transfer, assignment, or novation is subject to the conditions and approval required by Regulation 19-445.2180, which does not restrict transfers by operation of law. [07-7A004-2]

BANKRUPTCY - GENERAL (FEB 2015)

(a) Notice. In the event the Contractor enters into proceedings relating to bankruptcy, whether voluntary or involuntary, the Contractor agrees to furnish written notification of the bankruptcy to the Using Governmental Unit. This notification shall be furnished within two (2) days of the initiation of the proceedings relating to the bankruptcy filing. This notification shall include the date on which the bankruptcy petition was filed, the identity of the court in which the bankruptcy petition was filed, and a listing of all State contracts against which final payment has not been made. This obligation remains in effect until final payment under this Contract. (b) Termination. This contract is voidable and subject to immediate termination by the State upon the contractor's insolvency, including the filing of proceedings in bankruptcy. [07-7A005-2]

CHOICE-OF-LAW (JAN 2006)

The Agreement, any dispute, claim, or controversy relating to the Agreement, and all the rights and obligations of the parties shall, in all respects, be

interpreted, construed, enforced and governed by and under the laws of the State of South Carolina, except its choice of law rules. As used in this paragraph, the term "Agreement" means any transaction or agreement arising out of, relating to, or contemplated by the solicitation. [07-7A010-1]

CONTRACT DOCUMENTS and ORDER OF PRECEDENCE (FEB 2015)

(a) Any contract resulting from this solicitation shall consist of the following documents: (1) a Record of Negotiations, if any, executed by you and the Procurement Officer, (2) the solicitation, as amended, (3) documentation of clarifications [11-35-1520(8)] or discussions [11-35-1530(6)] of an offer, if applicable, (4) your offer, (5) any statement reflecting the state's final acceptance (a/k/a "award"), and (6) purchase orders. These documents shall be read to be consistent and complimentary. Any conflict among these documents shall be resolved by giving priority to these documents in the order listed above. (b) The terms and conditions of documents (1) through (5) above shall apply notwithstanding any additional or different terms and conditions in any other document, including without limitation, (i) a purchase order or other instrument submitted by the State, (ii) any invoice or other document submitted by Contractor, or (iii) any privacy policy, terms of use, or end user agreement. Except as otherwise allowed herein, the terms and conditions of all such documents shall be void and of no effect. (c) No contract, license, or other agreement containing contractual terms and conditions will be signed by any Using Governmental Unit. Any document signed or otherwise agreed to by persons other than the Procurement Officer shall be void and of no effect. [07-7A015-2]

DISCOUNT FOR PROMPT PAYMENT (JAN 2006)

(a) Discounts for prompt payment will not be considered in the evaluation of offers. However, any offered discount will form a part of the award, and will be taken if payment is made within the discount period indicated in the offer by the offeror. As an alternative to offering a discount for prompt payment in conjunction with the offer, offerors awarded contracts may include discounts for prompt payment on individual invoices.

(b) In connection with any discount offered for prompt payment, time shall be computed from the date of the invoice. If the Contractor has not placed a date on the invoice, the due date shall be calculated from the date the designated billing office receives a proper invoice, provided the state annotates such invoice with the date of receipt at the time of receipt. For the purpose of computing the discount earned, payment shall be considered to have been made on the date that appears on the payment check or, for an electronic funds transfer, the specified payment date. When the discount date falls on a Saturday, Sunday, or legal holiday when Federal Government offices are closed and Government business is not expected to be conducted, payment may be made on the following business day [07-7A020-1]

DISPUTES (JAN 2006)

(1) Choice-of-Forum. All disputes, claims, or controversies relating to the Agreement shall be resolved exclusively by the appropriate Chief Procurement Officer in accordance with Title 11, Chapter 35, Article 17 of the South Carolina Code of Laws, or in the absence of jurisdiction, only in the Court of Common Pleas for, or a federal court located in, Richland County, State of South Carolina. Contractor agrees that any act by the Government regarding the Agreement is not a waiver of either the Government's sovereign immunity or the Government's immunity under the Eleventh Amendment of the United State's Constitution. As used in this paragraph, the term "Agreement" means any transaction or agreement arising out of, relating to, or contemplated by the solicitation. (2) Service of Process. Contractor consents that any papers, notices, or process necessary or proper for the initiation or continuation of any disputes, claims, or controversies relating to the Agreement; for any court action in connection therewith; or for the entry of judgment on any award made, may be served on Contractor by certified mail (return receipt requested) addressed to Contractor at the address provided as the Notice Address on Page Two or by personal service or by any other manner that is permitted by law, in or outside South Carolina. Notice by certified mail is deemed duly given upon deposit in the United States mail. [07-7A025-1]

EQUAL OPPORTUNITY (JAN 2006)

Contractor is referred to and shall comply with all applicable provisions, if any, of Title 41, Part 60 of the Code of Federal Regulations, including but not limited to Sections 60-1.4, 60-4.2, 60-4.3, 60-250.5(a), and 60-741.5(a), which are hereby incorporated by reference. [07-7A030-1]

FALSE CLAIMS (JAN 2006)

According to the S.C. Code of Laws Section 16-13-240, "a person who by false pretense or representation obtains the signature of a person to a written instrument or obtains from another person any chattel, money, valuable security, or other property, real or personal, with intent to cheat and defraud a person of that property is guilty" of a crime. [07-7A035-1]

FIXED PRICING REQUIRED (JAN 2006)

Any pricing provided by contractor shall include all costs for performing the work associated with that price. Except as otherwise provided in this solicitation, contractor's price shall be fixed for the duration of this contract, including option terms. This clause does not prohibit contractor from offering lower pricing after award. [07-7A040-1]

NO INDEMNITY OR DEFENSE (FEB 2015)

Any term or condition is void to the extent it requires the State to indemnify, defend, or pay attorney's fees to anyone for any reason. [07-7A045-2]

OPEN TRADE (JUN 2015)

During the contract term, including any renewals or extensions, Contractor will not engage in the boycott of a person or an entity

based in or doing business with a jurisdiction with whom South Carolina can enjoy open trade, as defined in SC Code Section 11-35-5300. [07-7A053-1]

NOTICE (JAN 2006)

(A) After award, any notices shall be in writing and shall be deemed duly given (1) upon actual delivery, if delivery is by hand, (2) upon receipt by the transmitting party of automated confirmation or answer back from the recipient's device if delivery is by telex, telegram, facsimile, or electronic mail, or (3) upon deposit into the United States mail, if postage is prepaid, a return receipt is requested, and either registered or certified mail is used. (B) Notice to contractor shall be to the address identified as the Notice Address on Page Two. Notice to the state shall be to the Procurement Officer's address on the Cover Page. Either party may designate a different address for notice by giving notice in accordance with this paragraph. [07-7A050-1]

PAYMENT and INTEREST (FEB 2015)

(a) The State shall pay the Contractor, after the submission of proper invoices or vouchers, the prices stipulated in this contract for supplies delivered and accepted or services rendered and accepted, less any deductions provided in this contract. Unless otherwise specified herein, including the purchase order, payment shall not be made on partial deliveries accepted by the Government. (b) Unless otherwise provided herein, including the purchase order, payment will be made by check mailed to the payment address on "Page Two." (c) Notwithstanding any other provision, payment shall be made in accordance with S.C. Code Section 11-35-45, or Chapter 6 of Title 29 (real property improvements) when applicable, which provides the Contractor's exclusive means of recovering any type of interest from the Owner. Contractor waives imposition of an interest penalty unless the invoice submitted specifies that the late penalty is applicable. Except as set forth in this paragraph, the State shall not be liable for the payment of interest on any debt or claim arising out of or related to this contract for any reason. (d) Amounts due to the State shall bear interest at the rate of interest established by the South Carolina Comptroller General pursuant to Section 11-35-45 ("an amount not to exceed fifteen percent each year"), as amended, unless otherwise required by Section 29-6-30. (e) Any other basis for interest, including but not limited to general (pre- and post-judgment) or specific interest statutes, including S.C. Code Ann. Section 34-31-20, are expressly waived by both parties. If a court, despite this agreement and waiver, requires that interest be paid on any debt by either party other than as provided by items (c) and (d) above, the parties further agree that the applicable interest rate for any given calendar year shall be the lowest prime rate as listed in the first edition of the Wall Street Journal published for each year, applied as simple interest without compounding. (f) The State shall have all of its common law, equitable and statutory rights of set-off. [07-7A055-3]

PUBLICITY (JAN 2006)

Contractor shall not publish any comments or quotes by State employees, or include the State in either news releases or a published list of customers, without the prior written approval of the Procurement Officer. [07-7A060-1]

PURCHASE ORDERS (JAN 2006)

Contractor shall not perform any work prior to the receipt of a purchase order from the using governmental unit. The using governmental unit shall order any supplies or services to be furnished under this contract by issuing a purchase order. Purchase orders may be used to elect any options available under this contract, e.g., quantity, item, delivery date, payment method, but are subject to all terms and conditions of this contract. Purchase orders may be electronic. No particular form is required. An order placed pursuant to the purchasing card provision qualifies as a purchase order. [07-7A065-1]

IRAN DIVESTMENT ACT - ONGOING OBLIGATIONS (JAN 2015)

(a) You must notify the procurement officer immediately if, at any time during the contract term, you are added to the Iran Divestment Act List. (b) Consistent with Section 11-57-330(B), you shall not contract with any person to perform a part of the Work, if, at the time you enter into the subcontract, that person is on the then-current version of the Iran Divestment Act List. [07-7A072-1]

SURVIVAL OF OBLIGATIONS (JAN 2006)

The Parties' rights and obligations which, by their nature, would continue beyond the termination, cancellation, rejection, or expiration of this contract shall survive such termination, cancellation, rejection, or expiration, including, but not limited to, the rights and obligations created by the following clauses: Indemnification - Third Party Claims, Intellectual Property Indemnification, and any provisions regarding warranty or audit. [07-7A075-1]

TAXES (JAN 2006)

Any tax the contractor may be required to collect or pay upon the sale, use or delivery of the products shall be paid by the State, and such sums shall be due and payable to the contractor upon acceptance. Any personal property taxes levied after delivery shall be paid by the State. It shall be solely the State's obligation, after payment to contractor, to challenge the applicability of any tax by negotiation with, or action against, the taxing authority. Contractor agrees to refund any tax collected, which is subsequently determined not to be proper and for which a refund has been paid to contractor by the taxing authority. In the event that the contractor fails to pay, or delays in paying, to any taxing authorities, sums paid by the State to contractor, contractor shall be liable to the State for any loss (such as the assessment of additional interest) caused by virtue of this failure or delay. Taxes based on Contractor's net income or assets shall be the sole responsibility of the contractor. [07-7A080-1]

TERMINATION DUE TO UNAVAILABILITY OF FUNDS (JAN 2006)

Payment and performance obligations for succeeding fiscal periods shall be subject to the availability and appropriation of funds therefor. When funds are not appropriated or otherwise made available to support continuation of performance in a subsequent fiscal period, the contract shall be canceled. In the event of a cancellation pursuant to this paragraph, contractor will be reimbursed the resulting unamortized, reasonably incurred, nonrecurring costs. Contractor will not be reimbursed any costs amortized beyond the initial contract term. [07-7A085-1]

THIRD PARTY BENEFICIARY (JAN 2006)

This Contract is made solely and specifically among and for the benefit of the parties hereto, and their respective successors and assigns, and no other person will have any rights, interest, or claims hereunder or be entitled to any benefits under or on account of this Contract as a third party beneficiary or otherwise. [07-7A090-1]

WAIVER (JAN 2006)

The State does not waive any prior or subsequent breach of the terms of the Contract by making payments on the Contract, by failing to terminate the Contract for lack of performance, or by failing to strictly or promptly insist upon any term of the Contract. Only the Procurement Officer has actual authority to waive any of the State's rights under this Contract. Any waiver must be in writing. [07-7A095-1]

VII. TERMS AND CONDITIONS -- B. SPECIAL

CHANGES (JAN 2006)

(1) Contract Modification. By a written order, at any time, and without notice to any surety, the Procurement Officer may, subject to all appropriate adjustments, make changes within the general scope of this contract in any one or more of the following:

- (a) drawings, designs, or specifications, if the supplies to be furnished are to be specially manufactured for the [State] in accordance therewith;
- (b) method of shipment or packing;
- (c) place of delivery;
- (d) description of services to be performed;
- (e) time of performance (i.e., hours of the day, days of the week, etc.); or,
- (f) place of performance of the services. Subparagraphs (a) to (c) apply only if supplies are furnished under this contract. Subparagraphs (d) to (f) apply only if services are performed under this contract.

(2) Adjustments of Price or Time for Performance. If any such change increases or decreases the contractor's cost of, or the time required for, performance of any part of the work under this contract, whether or not changed by the order, an adjustment shall be made in the contract price, the delivery schedule, or both, and the contract modified in writing accordingly. Any adjustment in contract price made pursuant to this clause shall be determined in accordance with the Price Adjustment Clause of this contract. Failure of the parties to agree to an adjustment shall not excuse the contractor from proceeding with the contract as changed, provided that the State promptly and duly make such provisional adjustments in payment or time for performance as may be reasonable. By proceeding with the work, the contractor shall not be deemed to have prejudiced any claim for additional compensation, or an extension of time for completion.

(3) Time Period for Claim. Within 30 days after receipt of a written contract modification under Paragraph (1) of this clause, unless such period is extended by the Procurement Officer in writing, the contractor shall file notice of intent to assert a claim for an adjustment. Later notification shall not bar the contractor's claim unless the State is prejudiced by the delay in notification.

(4) Claim Barred After Final Payment. No claim by the contractor for an adjustment hereunder shall be allowed if notice is not given prior to final payment under this contract.

[07-7B025-1]

CISG (JAN 2006)

The parties expressly agree that the UN Convention on the International Sale of Goods shall not apply to this agreement. [07-7B030-1]

COMPLIANCE WITH LAWS (JAN 2006)

During the term of the contract, contractor shall comply with all applicable provisions of laws, codes, ordinances, rules, regulations, and tariffs. [07-7B035-1]

CONTRACT LIMITATIONS (JAN 2006)

No sales may be made pursuant to this contract for any item or service that is not expressly listed. No sales may be made pursuant to this contract after expiration of this contract. Violation of this provision may result in termination of this contract and may subject contractor to suspension or debarment. [07-7B045-1]

CONTRACTOR'S LIABILITY INSURANCE - GENERAL (FEB 2015)

(a) Without limiting any of the obligations or liabilities of Contractor, Contractor shall procure from a company or companies lawfully authorized to do business in South Carolina and with a current A.M. Best rating of no less than A: VII, and maintain for the duration of the contract, insurance against claims for injuries to persons or damages to property which may arise from or in connection with the performance of the work and the results of that work by the contractor, his agents, representatives, employees or subcontractors.

(b) Coverage shall be at least as broad as:

(1) Commercial General Liability (CGL): Insurance Services Office (ISO) Form CG 00 01 12 07 covering CGL on an "occurrence" basis, including products-completed operations, personal and advertising injury, with limits no less than \$1,000,000 per occurrence. If

a general aggregate limit applies, the general aggregate limit shall be twice the required occurrence limit. This contract shall be considered to be an "insured contract" as defined in the policy.

(2) Auto Liability: ISO Form Number CA 00 01 covering any auto (Code 1), or if Contractor has no owned autos, hired, (Code 8) and non-owned autos (Code 9), with limits no less than \$1,000,000 per accident for bodily injury and property damage.

(3) Worker's Compensation: As required by the State of South Carolina, with Statutory Limits, and Employer's Liability Insurance with limit of no less than \$1,000,000 per accident for bodily injury or disease.

(c) Every applicable Using Governmental Unit, and the officers, officials, employees and volunteers of any of them, must be covered as additional insureds on the CGL policy with respect to liability arising out of work or operations performed by or on behalf of the Contractor including materials, parts or equipment furnished in connection with such work or operations. General liability coverage can be provided in the form of an endorsement to the Contractor's insurance at least as broad as ISO Form CG 20 10 11 85 or if not available, through the addition of both CG 20 10 and CG 20 37 if a later edition is used.

(d) For any claims related to this contract, the Contractor's insurance coverage shall be primary insurance as respects the State, every applicable Using Governmental Unit, and the officers, officials, employees and volunteers of any of them. Any insurance or self-insurance maintained by the State, every applicable Using Governmental Unit, or the officers, officials, employees and volunteers of any of them, shall be excess of the Contractor's insurance and shall not contribute with it.

(e) Prior to commencement of the work, the Contractor shall furnish the State with original certificates and amendatory endorsements or copies of the applicable policy language effecting coverage required by this section. All certificates are to be received and approved by the State before work commences. However, failure to obtain the required documents prior to the work beginning shall not waive the Contractor's obligation to provide them. The State reserves the right to require complete, certified copies of all required insurance policies, including endorsements required by this section, at any time.

(f) Should any of the above described policies be cancelled before the expiration date thereof, notice will be delivered in accordance with the policy provisions. In addition, the Contractor shall notify the State immediately upon receiving any information that any of the coverages required by this section are or will be changed, cancelled, or replaced.

(g) Contractor hereby grants to the State and every applicable Using Governmental Unit a waiver of any right to subrogation which any insurer of said Contractor may acquire against the State or applicable Using Governmental Unit by virtue of the payment of any loss under such insurance. Contractor agrees to obtain any endorsement that may be necessary to effect this waiver of subrogation, but this provision applies regardless of whether or not the State or Using Governmental Unit has received a waiver of subrogation endorsement from the insurer.

(h) Any deductibles or self-insured retentions must be declared to and approved by the State. The State may require the Contractor to purchase coverage with a lower deductible or retention or provide proof of ability to pay losses and related investigations, claim administration, and defense expenses within the retention.

(i) The State reserves the right to modify these requirements, including limits, based on the nature of the risk, prior experience, insurer, coverage, or other special circumstances.

[07-7B056-2]

CONTRACTOR PERSONNEL (JAN 2006)

The Contractor shall enforce strict discipline and good order among the Contractor's employees and other persons carrying out the Contract. The Contractor shall not permit employment of unfit persons or persons not skilled in tasks assigned to them. [07-7B060-1]

CONTRACTOR'S OBLIGATION -- GENERAL (JAN 2006)

The contractor shall provide and pay for all materials, tools, equipment, labor and professional and non-professional services, and shall perform all other acts and supply all other things necessary, to fully and properly perform and complete the work. The contractor must act as the prime contractor and assume full responsibility for any subcontractor's performance. The contractor will be considered the sole point of contact with regard to all situations, including payment of all charges and the meeting of all other requirements. [07-7B065-1]

CONTRACTOR'S USE OF STATE PROPERTY (JAN 2006)

Upon termination of the contract for any reason, the State shall have the right, upon demand, to obtain access to, and possession of, all State properties, including, but not limited to, current copies of all State application programs and necessary documentation, all data, files, intermediate materials and supplies held by the contractor. Contractor shall not use, reproduce, distribute, display, or sell any data, material, or documentation owned exclusively by the State without the State's written consent, except to the extent necessary to carry out the work. [07-7B067-1]

DEFAULT (JAN 2006)

(a) (1) The State may, subject to paragraphs (c) and (d) of this clause, by written notice of default to the Contractor, terminate this contract in whole or in part if the Contractor fails to:

(i) Deliver the supplies or to perform the services within the time specified in this contract or any extension;

(ii) Make progress, so as to endanger performance of this contract (but see paragraph (a)(2) of this clause); or

(iii) Perform any of the other material provisions of this contract (but see paragraph (a)(2) of this clause).

(2) The State's right to terminate this contract under subdivisions (a)(1)(ii) and (1)(iii) of this clause, may be exercised if the Contractor does not cure

such failure within 10 days (or more if authorized in writing by the Procurement Officer) after receipt of the notice from the Procurement Officer specifying the failure.

(b) If the State terminates this contract in whole or in part, it may acquire, under the terms and in the manner the Procurement Officer considers appropriate, supplies or services similar to those terminated, and the Contractor will be liable to the State for any excess costs for those supplies or services. However, the Contractor shall continue the work not terminated.

(c) Except for defaults of subcontractors at any tier, the Contractor shall not be liable for any excess costs if the failure to perform the contract arises from causes beyond the control and without the fault or negligence of the Contractor. Examples of such causes include (1) acts of God or of the public enemy, (2) acts of the State in either its sovereign or contractual capacity, (3) fires, (4) floods, (5) epidemics, (6) quarantine restrictions, (7) strikes, (8) freight embargoes, and (9) unusually severe weather. In each instance the failure to perform must be beyond the control and without the fault or negligence of the Contractor.

(d) If the failure to perform is caused by the default of a subcontractor at any tier, and if the cause of the default is beyond the control of both the Contractor and subcontractor, and without the fault or negligence of either, the Contractor shall not be liable for any excess costs for failure to perform, unless the subcontracted supplies or services were obtainable from other sources in sufficient time for the Contractor to meet the required delivery schedule.

(e) If this contract is terminated for default, the State may require the Contractor to transfer title and deliver to the State, as directed by the Procurement Officer, any (1) completed supplies, and (2) partially completed supplies and materials, parts, tools, dies, jigs, fixtures, plans, drawings, information, and contract rights (collectively referred to as "manufacturing materials" in this clause) that the Contractor has specifically produced or acquired for the terminated portion of this contract. Upon direction of the Procurement Officer, the Contractor shall also protect and preserve property in its possession in which the State has an interest.

(f) The State shall pay contract price for completed supplies delivered and accepted. The Contractor and Procurement Officer shall agree on the amount of payment for manufacturing materials delivered and accepted and for the protection and preservation of the property; if the parties fail to agree, the Procurement Officer shall set an amount subject to the Contractor's rights under the Disputes clause. Failure to agree will be a dispute under the Disputes clause. The State may withhold from these amounts any sum the Procurement Officer determines to be necessary to protect the State against loss because of outstanding liens or claims of former lien holders.

(g) If, after termination, it is determined that the Contractor was not in default, or that the default was excusable, the rights and obligations of the parties shall, if the contract contains a clause providing for termination for convenience of the State, be the same as if the termination had been issued for the convenience of the State. If, in the foregoing circumstances, this contract does not contain a clause providing for termination for convenience of the State, the contract shall be adjusted to compensate for such termination and the contract modified accordingly subject to the contractor's rights under the Disputes clause.

(h) The rights and remedies of the State in this clause are in addition to any other rights and remedies provided by law or under this contract.

[07-7B075-1]

DISPOSAL OF PACKAGING (JAN 2006)

Contractor shall dispose of all wrappings, crating, and other disposable materials pertaining to this contract at the end of each working day and upon completion of installation. [07-7B085-1]

ILLEGAL IMMIGRATION (NOV 2008)

(An overview is available at www.procurement.sc.gov) By signing your offer, you certify that you will comply with the applicable requirements of Title 8, Chapter 14 of the South Carolina Code of Laws and agree to provide to the State upon request any documentation required to establish either: (a) that Title 8, Chapter 14 is inapplicable to you and your subcontractors or sub-subcontractors; or (b) that you and your subcontractors or sub-subcontractors are in compliance with Title 8, Chapter 14. Pursuant to Section 8-14-60, "A person who knowingly makes or files any false, fictitious, or fraudulent document, statement, or report pursuant to this chapter is guilty of a felony, and, upon conviction, must be fined within the discretion of the court or imprisoned for not more than five years, or both." You agree to include in any contracts with your subcontractors language requiring your subcontractors to (a) comply with the applicable requirements of Title 8, Chapter 14, and (b) include in their contracts with the sub-subcontractors language requiring the sub-subcontractors to comply with the applicable requirements of Title 8, Chapter 14. [07-7B097-1]

INDEMNIFICATION-THIRD PARTY CLAIMS – GENERAL (NOV 2011)

Notwithstanding any limitation in this agreement, and to the fullest extent permitted by law, Contractor shall defend and hold harmless Indemnitees for and against any and all suits or claims of any character (and all related damages, settlement payments, attorneys' fees, costs, expenses, losses or liabilities) by a third party which are attributable to bodily injury, sickness, disease or death, or to injury to or destruction of tangible property arising out of or in connection with the goods or services acquired hereunder or caused in whole or in part by any act or omission of contractor, its subcontractors, their employees, workmen, servants, agents, or anyone directly or indirectly employed by them or anyone for whose acts any of them may be liable, regardless of whether or not caused in part by an Indemnitee, and whether or not such claims are made by a third party or an Indemnitee; however, if an Indemnitee's negligent act or omission is subsequently determined to be the sole proximate cause of a suit or claim, the Indemnitee shall not be entitled to

indemnification hereunder. Contractor shall be given timely written notice of any suit or claim. Contractor's obligations hereunder are in no way limited by any protection afforded under workers' compensation acts, disability benefits acts, or other employee benefit acts. This clause shall not negate, abridge, or reduce any other rights or obligations of indemnity which would otherwise exist. The obligations of this paragraph shall survive termination, cancelation, or expiration of the parties' agreement. This provision shall be construed fairly and reasonably, neither strongly for nor against either party, and without regard to any clause regarding insurance. As used in this clause, "Indemnitees" means the State of South Carolina, its instrumentalities, agencies, departments, boards, political subdivisions and all their respective officers, agents and employees. [07-7B100-2]

LICENSES AND PERMITS (JAN 2006)

During the term of the contract, the Contractor shall be responsible for obtaining, and maintaining in good standing, all licenses (including professional licenses, if any), permits, inspections and related fees for each or any such licenses, permits and /or inspections required by the State, county, city or other government entity or unit to accomplish the work specified in this solicitation and the contract. [07-7B115-1]

MATERIAL AND WORKMANSHIP (JAN 2006)

Unless otherwise specifically provided in this contract, all equipment, material, and articles incorporated in the work covered by this contract are to be new and of the most suitable grade for the purpose intended. [07-7B120-1]

PRICE ADJUSTMENTS (JAN 2006)

(1) Method of Adjustment. Any adjustment in the contract price made pursuant to a clause in this contract shall be consistent with this Contract and shall be arrived at through whichever one of the following ways is the most valid approximation of the actual cost to the Contractor (including profit, if otherwise allowed):

- (a) by agreement on a fixed price adjustment before commencement of the pertinent performance or as soon thereafter as practicable;
- (b) by unit prices specified in the Contract or subsequently agreed upon;
- (c) by the costs attributable to the event or situation covered by the relevant clause, including profit if otherwise allowed, all as specified in the Contract; or subsequently agreed upon;
- (d) in such other manner as the parties may mutually agree; or,
- (e) in the absence of agreement by the parties, through a unilateral initial written determination by the Procurement Officer of the costs attributable to the event or situation covered by the clause, including profit if otherwise allowed, all as computed by the Procurement Officer in accordance with generally accepted accounting principles, subject to the provisions of Title 11, Chapter 35, Article 17 of the S.C. Code of Laws.

(2) Submission of Price or Cost Data. Upon request of the Procurement Officer, the contractor shall provide reasonably available factual information to substantiate that the price or cost offered, for any price adjustments is reasonable, consistent with the provisions of Section 11-35-1830.

[07-7B160-1]

PRICING DATA -- AUDIT -- INSPECTION (JAN 2006)

[Clause Included Pursuant to Section 11-35-1830, - 2210, & -2220] (a) Cost or Pricing Data. Upon Procurement Officer's request, you shall submit cost or pricing data, as defined by 48 C.F.R. Section 2.101 (2004), prior to either (1) any award to contractor pursuant to 11-35-1530 or 11-35-1560, if the total contract price exceeds \$500,000, or (2) execution of a change order or contract modification with contractor which exceeds \$100,000. Your price, including profit or fee, shall be adjusted to exclude any significant sums by which the state finds that such price was increased because you furnished cost or pricing data that was inaccurate, incomplete, or not current as of the date agreed upon between parties. (b) Records Retention. You shall maintain your records for three years from the date of final payment, or longer if requested by the chief Procurement Officer. The state may audit your records at reasonable times and places. As used in this subparagraph (b), the term "records" means any books or records that relate to cost or pricing data submitted pursuant to this clause. In addition to the obligation stated in this subparagraph (b), you shall retain all records and allow any audits provided for by 11-35-2220(2). (c) Inspection. At reasonable times, the state may inspect any part of your place of business which is related to performance of the work. (d) Instructions Certification. When you submit data pursuant to subparagraph (a), you shall (1) do so in accordance with the instructions appearing in Table 15-2 of 48 C.F.R. Section 15.408 (2004) (adapted as necessary for the state context), and (2) submit a Certificate of Current Cost or Pricing Data, as prescribed by 48 CFR Section 15.406-2(a) (adapted as necessary for the state context). (e) Subcontracts. You shall include the above text of this clause in all of your subcontracts. (f) Nothing in this clause limits any other rights of the state. [07-7B185-1]

RELATIONSHIP OF THE PARTIES (JAN 2006)

Neither party is an employee, agent, partner, or joint venturer of the other. Neither party has the right or ability to bind the other to any agreement with a third party or to incur any obligation or liability on behalf of the other party. [07-7B205-1]

SHIPPING / RISK OF LOSS (JAN 2006)

F.O.B. Destination. Destination is the shipping dock of the Using Governmental Units' designated receiving site, or other location, as specified herein. (See Delivery clause) [07-7B220-1]

TERMINATION FOR CONVENIENCE (JAN 2006)

(1) Termination. The Procurement Officer may terminate this contract in whole or in part, for the convenience of the State. The Procurement Officer shall give written notice of the termination to the contractor specifying the part of the contract terminated and when termination becomes effective.

(2) Contractor's Obligations. The contractor shall incur no further obligations in connection with the terminated work and on the date set in the notice of termination the contractor will stop work to the extent specified. The contractor shall also terminate outstanding orders and subcontracts as they relate to the terminated work. The contractor shall settle the liabilities and claims arising out of the termination of subcontracts and orders connected with the terminated work. The Procurement Officer may direct the contractor to assign the contractor's right, title, and interest under terminated orders or subcontracts to the State. The contractor must still complete the work not terminated by the notice of termination and may incur obligations as are necessary to do so.

(3) Right to Supplies. The Procurement Officer may require the contractor to transfer title and deliver to the State in the manner and to the extent directed by the Procurement Officer: (a) any completed supplies; and (b) such partially completed supplies and materials, parts, tools, dies, jigs, fixtures, plans, drawings, information, and contract rights (hereinafter called "manufacturing material") as the contractor has specifically produced or specially acquired for the performance of the terminated part of this contract. The contractor shall, upon direction of the Procurement Officer, protect and preserve property in the possession of the contractor in which the State has an interest. If the Procurement Officer does not exercise this right, the contractor shall use best efforts to sell such supplies and manufacturing materials in accordance with the standards of Uniform Commercial Code Section 2-706. Utilization of this Section in no way implies that the State has breached the contract by exercise of the Termination for Convenience Clause.

(4) Compensation. (a) The contractor shall submit a termination claim specifying the amounts due because of the termination for convenience together with cost or pricing data required by Section 11-35-1830 bearing on such claim. If the contractor fails to file a termination claim within one year from the effective date of termination, the Procurement Officer may pay the contractor, if at all, an amount set in accordance with Subparagraph (c) of this Paragraph.

(b) The Procurement Officer and the contractor may agree to a settlement and that the settlement does not exceed the total contract price plus settlement costs reduced by payments previously made by the State, the proceeds of any sales of supplies and manufacturing materials under Paragraph (3) of this clause, and the contract price of the work not terminated;

(c) Absent complete agreement under Subparagraph (b) of this Paragraph, the Procurement Officer shall pay the contractor the following amounts, provided payments agreed to under Subparagraph (b) shall not duplicate payments under this Subparagraph:

(i) contract prices for supplies or services accepted under the contract;

(ii) costs reasonably incurred in performing the terminated portion of the work less amounts paid or to be paid for accepted supplies or services;

(iii) reasonable costs of settling and paying claims arising out of the termination of subcontracts or orders pursuant to Paragraph (2) of this clause. These costs must not include costs paid in accordance with Subparagraph (c)(ii) of this paragraph;

(iv) any other reasonable costs that have resulted from the termination. The total sum to be paid the contractor under this Subparagraph shall not exceed the total contract price plus the reasonable settlement costs of the contractor reduced by the amount of payments otherwise made, the proceeds of any sales of supplies and manufacturing materials under Subparagraph (b) of this Paragraph, and the contract price of work not terminated.

(d) Contractor must demonstrate any costs claimed, agreed to, or established under Subparagraphs (b) and (c) of this Paragraph using its standard record keeping system, provided such system is consistent with any applicable Generally Accepted Accounting Principles.

(5) Contractor's failure to include an appropriate termination for convenience clause in any subcontract shall not (i) affect the state's right to require the termination of a subcontract, or (ii) increase the obligation of the state beyond what it would have been if the subcontract had contained an appropriate clause.

[07-7B265-1]

VIII. BIDDING SCHEDULE / PRICE-BUSINESS PROPOSAL

SOLICITATION LINE ITEM SCHEDULE

Agency Req.: 74971					
Item	Commodity / Service	Quantity	Unit Of Measure	Unit Price	Extended Price
1		1	LOT		
Description: The bidder will supply materials per specifications on Page 14 and 15					

Agency Req.: 74971					
Item	Commodity / Service	Quantity	Unit Of Measure	Unit Price	Extended Price
2		1	LOT		
Description: Installation per specifications on Page 14.					

GRAND TOTAL: _____

Resident Vendor Preference _____

SC End Product Preference Item 1 _____

US End Product Preference Item 1 _____

(Please read instructions on Page 2 and 12 prior to claiming preferences.)

By signing this document, you agree that you will comply with all specifications in the bid unless specifically stated in your response, you certify that you meet all requirements specified in the bid and you agree to all stated Terms and Conditions.

Vendor: _____

Authorized Signature: _____

Date: _____

IX. ATTACHMENTS TO SOLICITATION

NONRESIDENT TAXPAYER REGISTRATION AFFIDAVIT INCOME TAX WITHHOLDING OFFEROR'S CHECKLIST

IMPORTANT TAX NOTICE - NONRESIDENTS ONLY

Withholding Requirements for Payments to Nonresidents: Section 12-8-550 of the South Carolina Code of Laws requires persons hiring or contracting with a nonresident conducting a business or performing personal services of a temporary nature within South Carolina to withhold 2% of each payment made to the nonresident. The withholding requirement does not apply to (1) payments on purchase orders for tangible personal property when the payments are not accompanied by services to be performed in South Carolina, (2) nonresidents who are not conducting business in South Carolina, (3) nonresidents for contracts that do not exceed \$10,000 in a calendar year, or (4) payments to a nonresident who (a) registers with either the S.C. Department of Revenue or the S.C. Secretary of State and (b) submits a Nonresident Taxpayer Registration Affidavit - Income Tax Withholding, Form I-312 to the person letting the contract.

The withholding requirement applies to every governmental entity that uses a contract ("Using Entity"). Nonresidents should submit a separate copy of the Nonresident Taxpayer Registration Affidavit - Income Tax Withholding, Form I-312 to every Using Entity that makes payment to the nonresident pursuant to this solicitation. Once submitted, an affidavit is valid for all contracts between the nonresident and the Using Entity, unless the Using Entity receives notice from the Department of Revenue that the exemption from withholding has been revoked.

Section 12-8-540 requires persons making payment to a nonresident taxpayer of rentals or royalties at a rate of \$1,200.00 or more a year for the use of or for the privilege of using property in South Carolina to withhold 7% of the total of each payment made to a nonresident taxpayer who is not a corporation and 5% if the payment is made to a corporation. Contact the Department of Revenue for any applicable exceptions.

For information about other withholding requirements (e.g., employee withholding), contact the Withholding Section at the South Carolina Department of Revenue at 803-898-5383 or visit the Department's website at: www.sctax.org

This notice is for informational purposes only. This agency does not administer and has no authority over tax issues. All registration questions should be directed to the License and Registration Section at 803-898-5872 or to the South Carolina Department of Revenue, Registration Unit, Columbia, S.C. 29214-0140. All withholding questions should be directed to the Withholding Section at 803-898- 5383.

PLEASE SEE THE "NONRESIDENT TAXPAYER REGISTRATION AFFIDAVIT INCOME TAX WITHHOLDING" FORM (FORM NUMBER I-312) LOCATED AT: <http://www.sctax.org/Forms+and+Instructions/withholding/default.htm>
[09-9005-1]



STATE OF SOUTH CAROLINA
 DEPARTMENT OF REVENUE
**NONRESIDENT TAXPAYER
 REGISTRATION AFFIDAVIT
 INCOME TAX WITHHOLDING**

I-312
 (Rev. 5/18/15)
 3323

Mail to: The company or individual you are contracting with.

The undersigned nonresident taxpayer on oath, being first duly sworn, hereby certifies as follows:

1. Name of Nonresident Taxpayer: _____

2. Trade Name, if applicable (doing business as):

3. Mailing Address: _____

4. Federal Employer Identification Number (FEIN): _____

5. _____ Hiring or Contracting with:
 Name: _____

Address: _____

_____ Receiving Rentals or Royalties From:
 Name: _____

Address: _____

6. I hereby certify that the above named nonresident taxpayer is currently registered with (check the appropriate box): The South Carolina Secretary of State or The South Carolina Department of Revenue:
 Date of Registration: _____

7. I understand that by this registration, the above named nonresident taxpayer has agreed to be subject to the jurisdiction of the South Carolina Department of Revenue and the courts of South Carolina to determine its South Carolina tax liability, including estimated taxes, together with any related interest and penalties.

8. I understand the South Carolina Department of Revenue may revoke the withholding exemption granted under Code Section 12-8-550 (temporarily doing business or professional services in South Carolina) or Code Section 12-8-540 (rentals) at any time it determines that the above named nonresident taxpayer is not cooperating with the Department in the determination of its correct South Carolina tax liability.

The undersigned understands that any false statement contained herein could be punished by fine, imprisonment or both. Recognizing that I am subject to the criminal penalties under Code Section 12-54-44(B)(6)(a)(i), I declare that I have examined this affidavit and to the best of my knowledge and belief, it is true, correct and complete.

 Signature of Nonresident Taxpayer (Owner, Partner or Corporate Officer, when relevant) **(Seal)** _____ Date
 If Corporate officer, state title:

 (Name - Please Print)

**INFORMATION
NONRESIDENT TAXPAYER REGISTRATION AFFIDAVIT**

Submit this form to the company or individual you are contracting with. Do not submit this form to South Carolina Department of Revenue. **PURPOSE OF AFFIDAVIT**

A person is not required to withhold taxes for a nonresident taxpayer who submits an affidavit certifying that they are registered with either the South Carolina Secretary of State or the South Carolina Department of Revenue.

REQUIREMENTS TO MAKE WITHHOLDING PAYMENTS

Code Section 12-8-550 requires persons hiring or contracting with a nonresident taxpayer to withhold 2% of each payment made to the nonresident where the payments under the contract exceed \$10,000. However, this section does not apply to payments on purchase orders for tangible personal property when those payments are not accompanied by services to be performed in this state.

Code Section 12-8-540 requires persons making payment to a nonresident taxpayer of rentals or royalties at a rate of

\$1,200 or more a year for the use of or for the privilege of using property in South Carolina to withhold 7% of the total of each payment made to a nonresident taxpayer who is not a corporation and 5% if the payment is made to a corporation.

Our Internet address is: www.dor.sc.gov

OFFEROR'S CHECKLIST

AVOID COMMON BID/PROPOSAL MISTAKES

Review this checklist prior to submitting your bid/proposal.
If you fail to follow this checklist, you risk having your bid/proposal rejected.

- BE SURE THAT YOU HAVE SIGNED YOUR OFFER ON THE PAGE 1.
- DO NOT INCLUDE ANY OF YOUR STANDARD CONTRACT FORMS!
- UNLESS EXPRESSLY REQUIRED, DO NOT INCLUDE ANY ADDITIONAL BOILERPLATE CONTRACT CLAUSES.
- REREAD YOUR ENTIRE BID/PROPOSAL TO MAKE SURE YOUR BID/PROPOSAL DOES NOT TAKE EXCEPTION TO ANY OF THE STATE'S MANDATORY REQUIREMENTS.
- MAKE SURE YOU HAVE PROPERLY MARKED ALL PROTECTED, CONFIDENTIAL, OR TRADE SECRET INFORMATION IN ACCORDANCE WITH THE INSTRUCTIONS ENTITLED: SUBMITTING CONFIDENTIAL INFORMATION. DO NOT MARK YOUR ENTIRE BID/PROPOSAL AS CONFIDENTIAL, TRADE SECRET, OR PROTECTED! DO NOT INCLUDE A LEGEND ON THE COVER STATING THAT YOUR ENTIRE RESPONSE IS NOT TO BE RELEASED!
- HAVE YOU PROPERLY ACKNOWLEDGED ALL AMENDMENTS? INSTRUCTIONS REGARDING HOW TO ACKNOWLEDGE AN AMENDMENT SHOULD APPEAR IN ALL AMENDMENTS ISSUED.
- MAKE SURE YOUR BID/PROPOSAL INCLUDES A COPY OF THE SOLICITATION COVER PAGE. MAKE SURE THE COVER PAGE IS SIGNED BY A PERSON THAT IS AUTHORIZED TO CONTRACTUALLY BIND YOUR BUSINESS.
- MAKE SURE YOUR BID/PROPOSAL INCLUDES THE NUMBER OF COPIES REQUESTED.
- CHECK TO ENSURE YOUR BID/PROPOSAL INCLUDES EVERYTHING REQUESTED!
- IF YOU HAVE CONCERNS ABOUT THE SOLICITATION, DO NOT RAISE THOSE CONCERNS IN YOUR RESPONSE! AFTER OPENING, IT IS TOO LATE! IF THIS SOLICITATION INCLUDES A PRE-BID/PROPOSAL CONFERENCE OR A QUESTION & ANSWER PERIOD, RAISE YOUR QUESTIONS AS A PART OF THAT PROCESS! PLEASE SEE INSTRUCTIONS UNDER THE HEADING "SUBMISSION OF QUESTIONS" AND ANY PROVISIONS REGARDING PRE-BID/PROPOSAL CONFERENCES.

This checklist is included only as a reminder to help offerors avoid common mistakes.
Responsiveness will be evaluated against the solicitation, not against this checklist.
You do not need to return this checklist with your response.