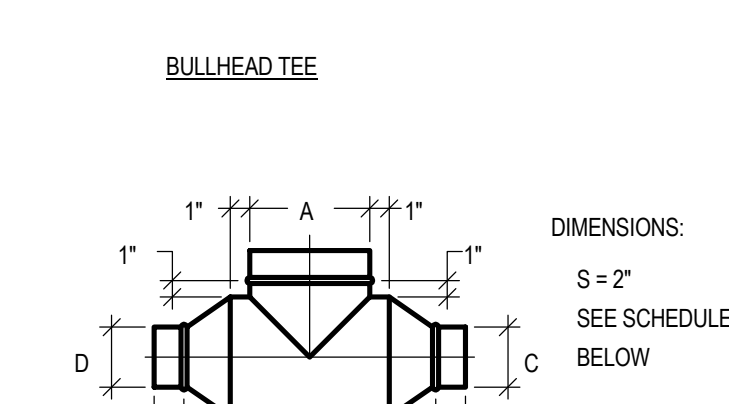
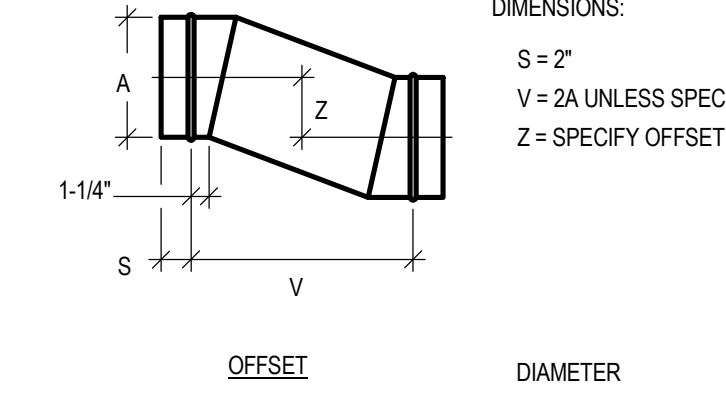
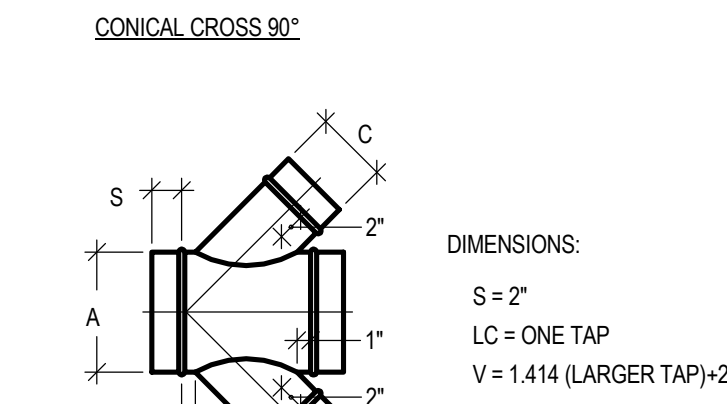
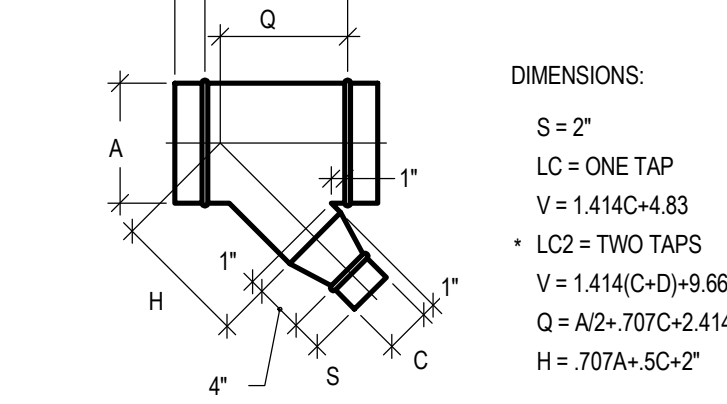
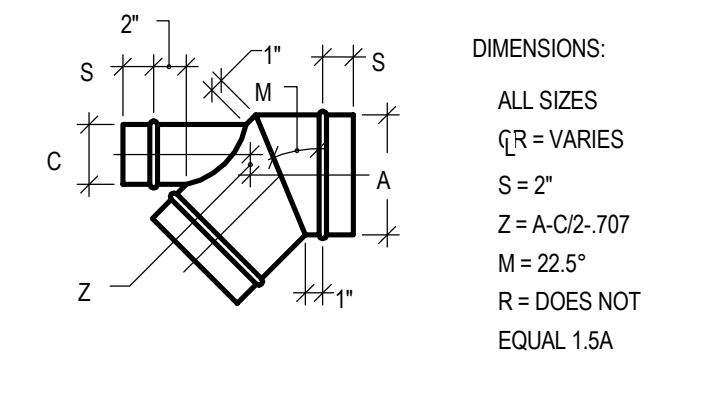
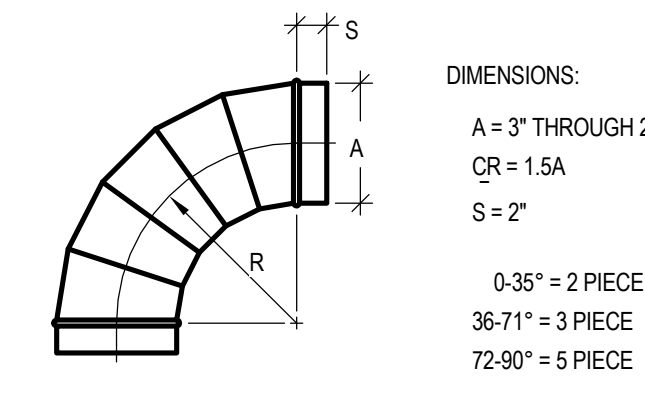
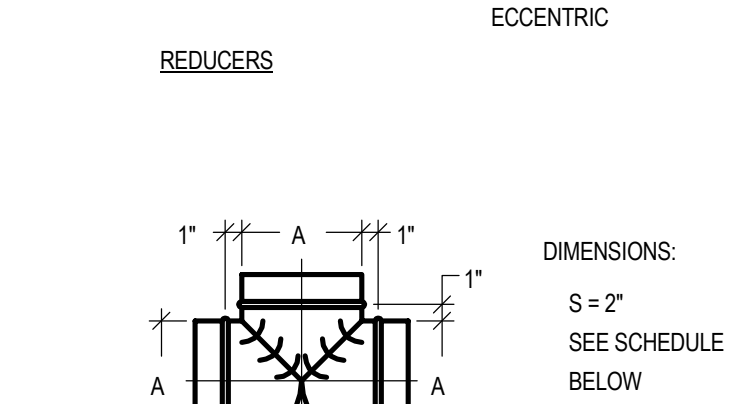
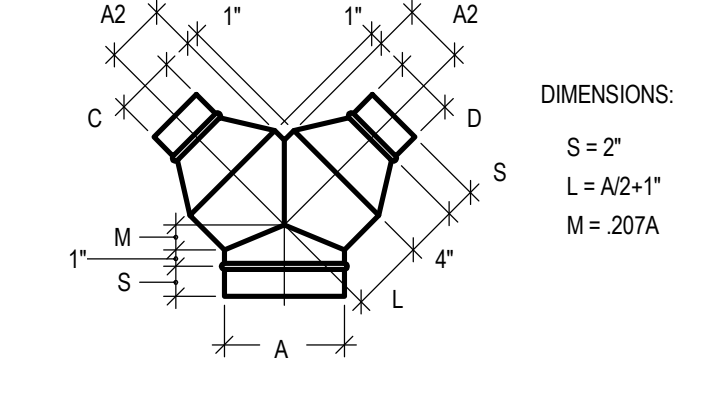
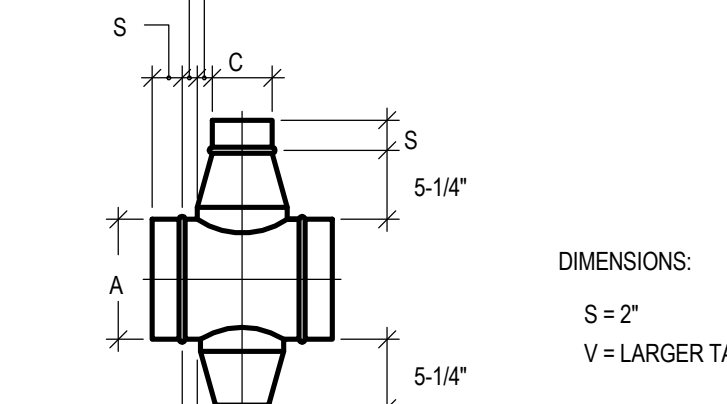
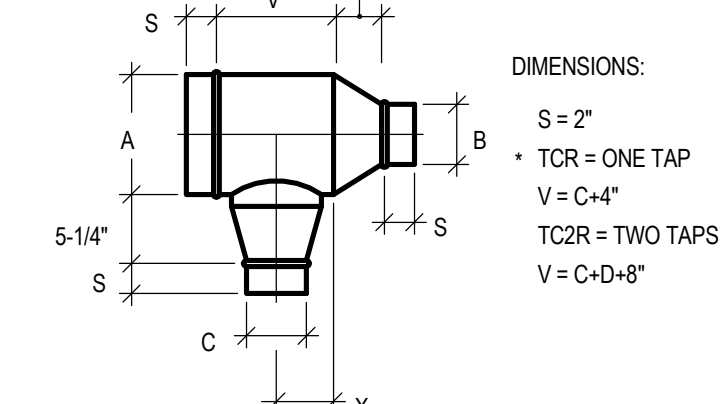
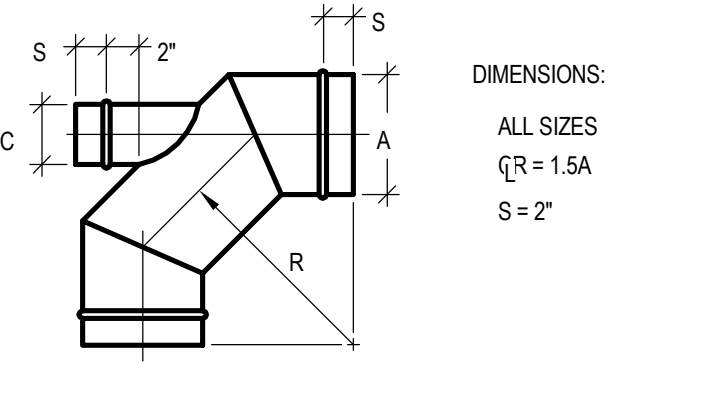
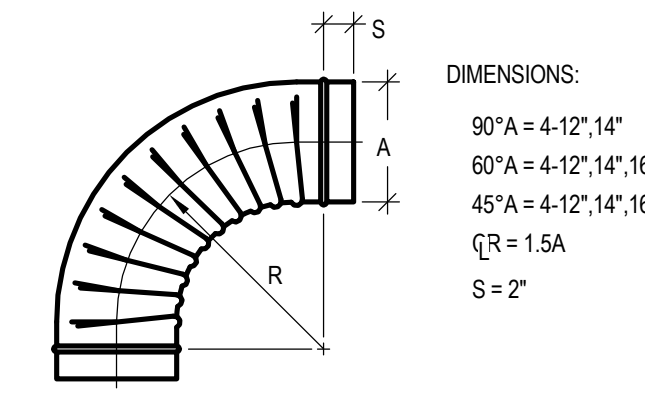
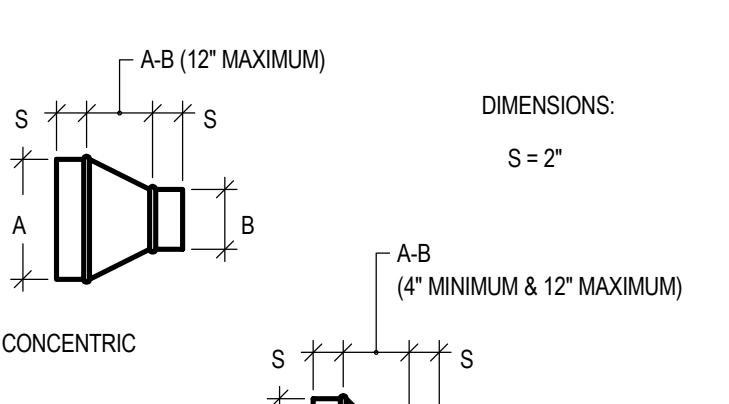
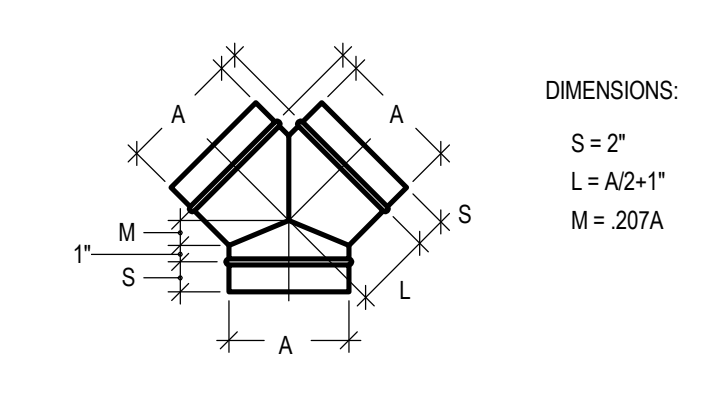
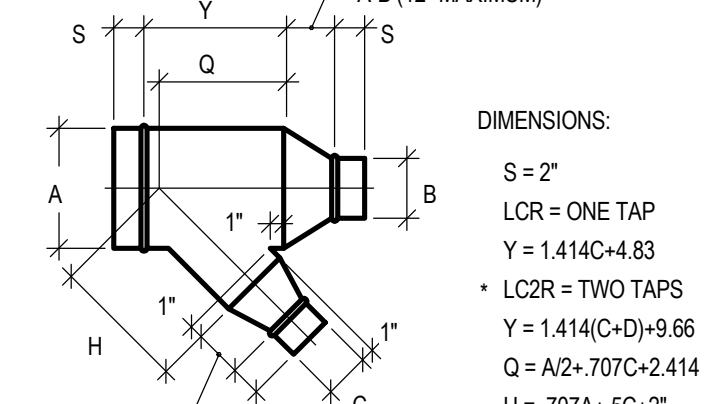
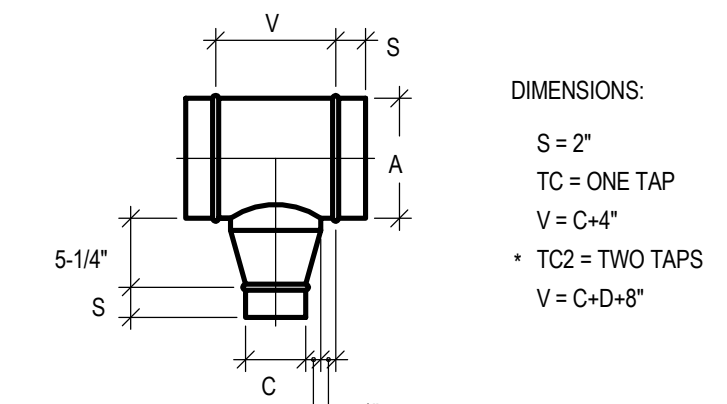
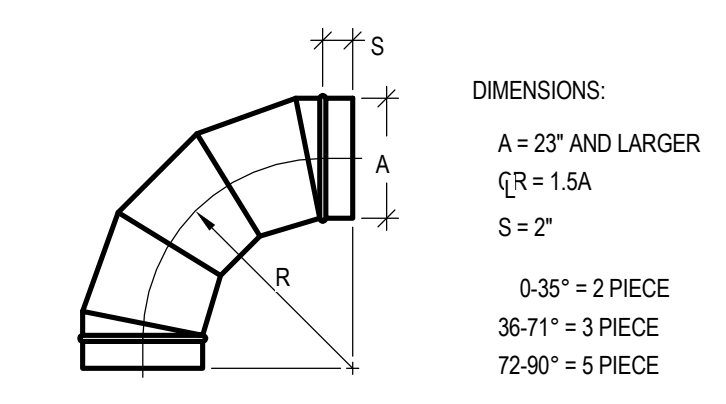
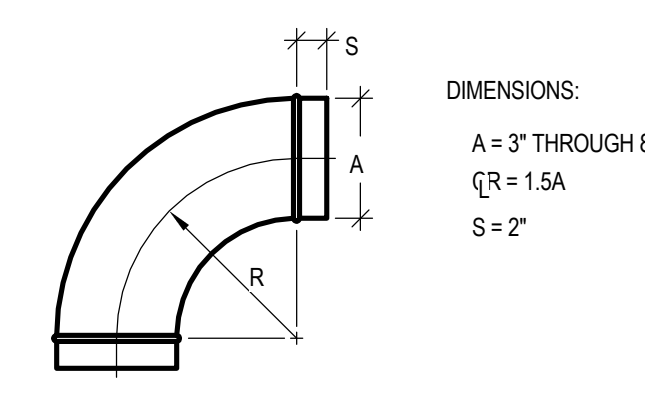


REVISIONS:

No.	Description	Date
1	OSE REVIEW SET	07-08-2014
2	ISSUE FOR BID	09-12-2014
3	ISSUE FOR BID, REVISED	10-28-2014

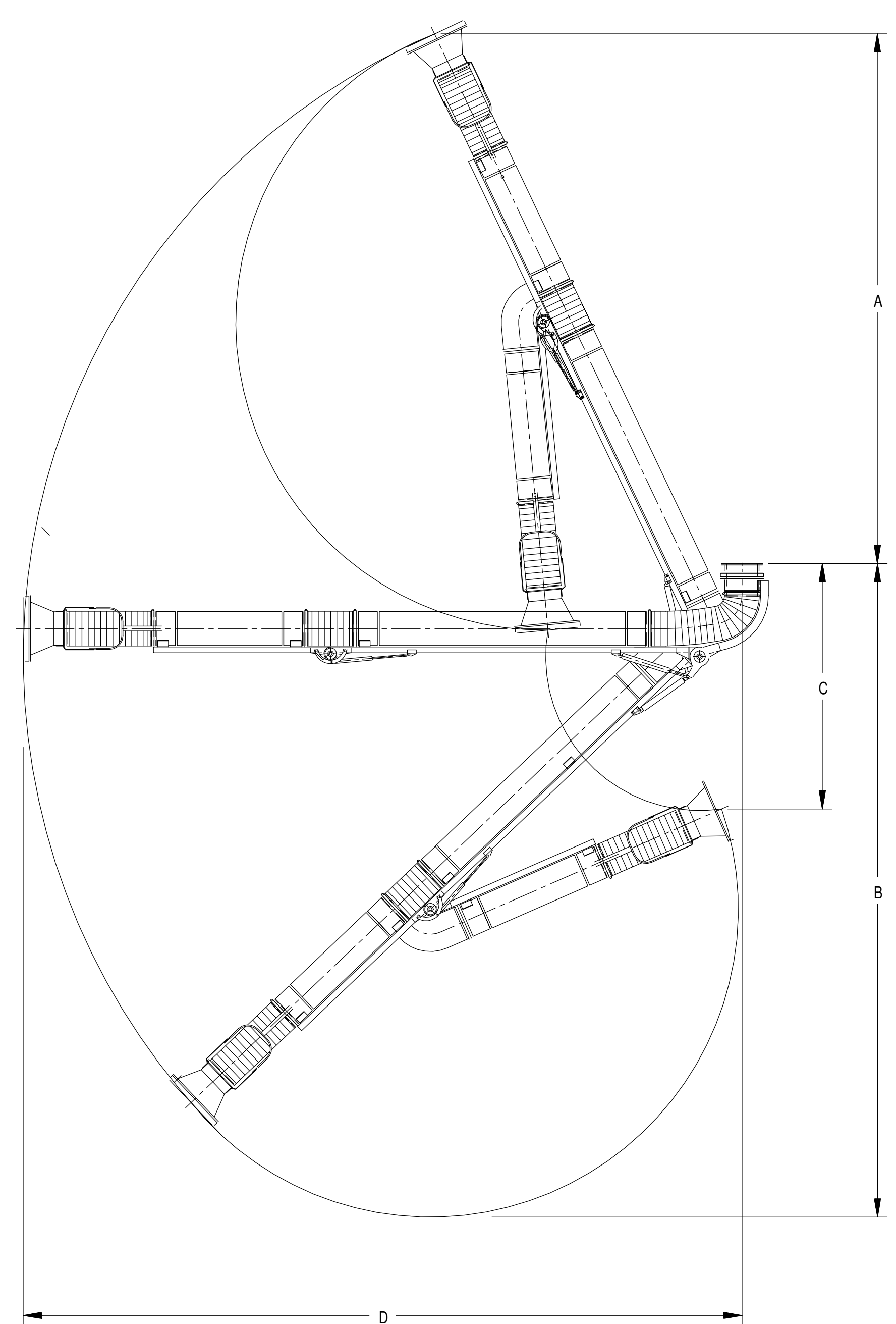
PROJECT: 3202-131890
DATE: 10/28/2014
DRAWN BY: GTH
CHECKED BY: CRB



DIAMETER	NUMBER OF VANES
3-5"	1
6-9"	2
10-14"	3
15-19"	4
20-60"	5
OVER 60"	12" CTRS

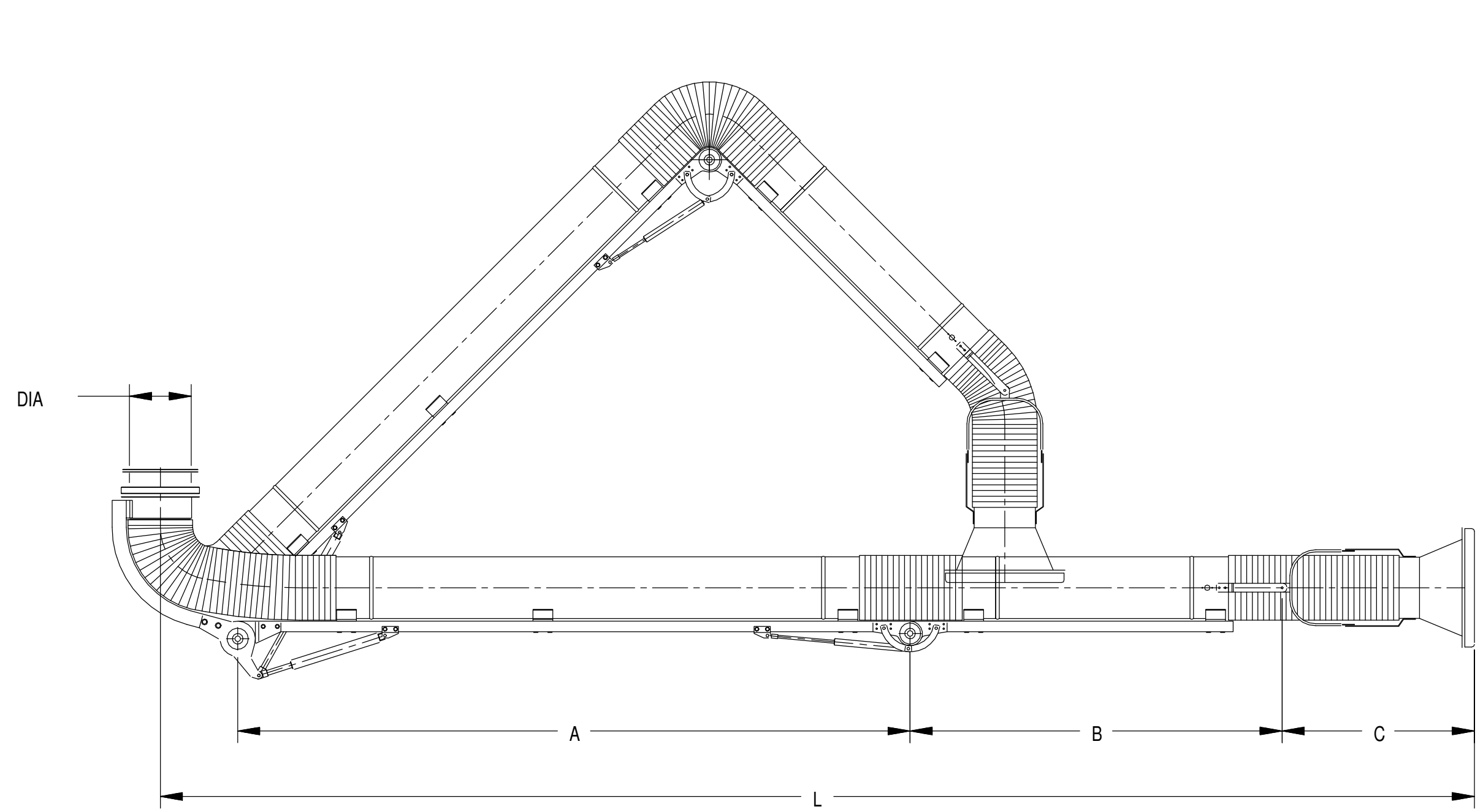
NOTES:
IF TWO TAPS, BOTH TAPS ARE IN LINE ON ONE SIDE AND THE TAPS ARE SEPARATED BY 2 INCHES

1 DETAIL - ROUND DUCT FITTINGS
SCALE: N.T.S.



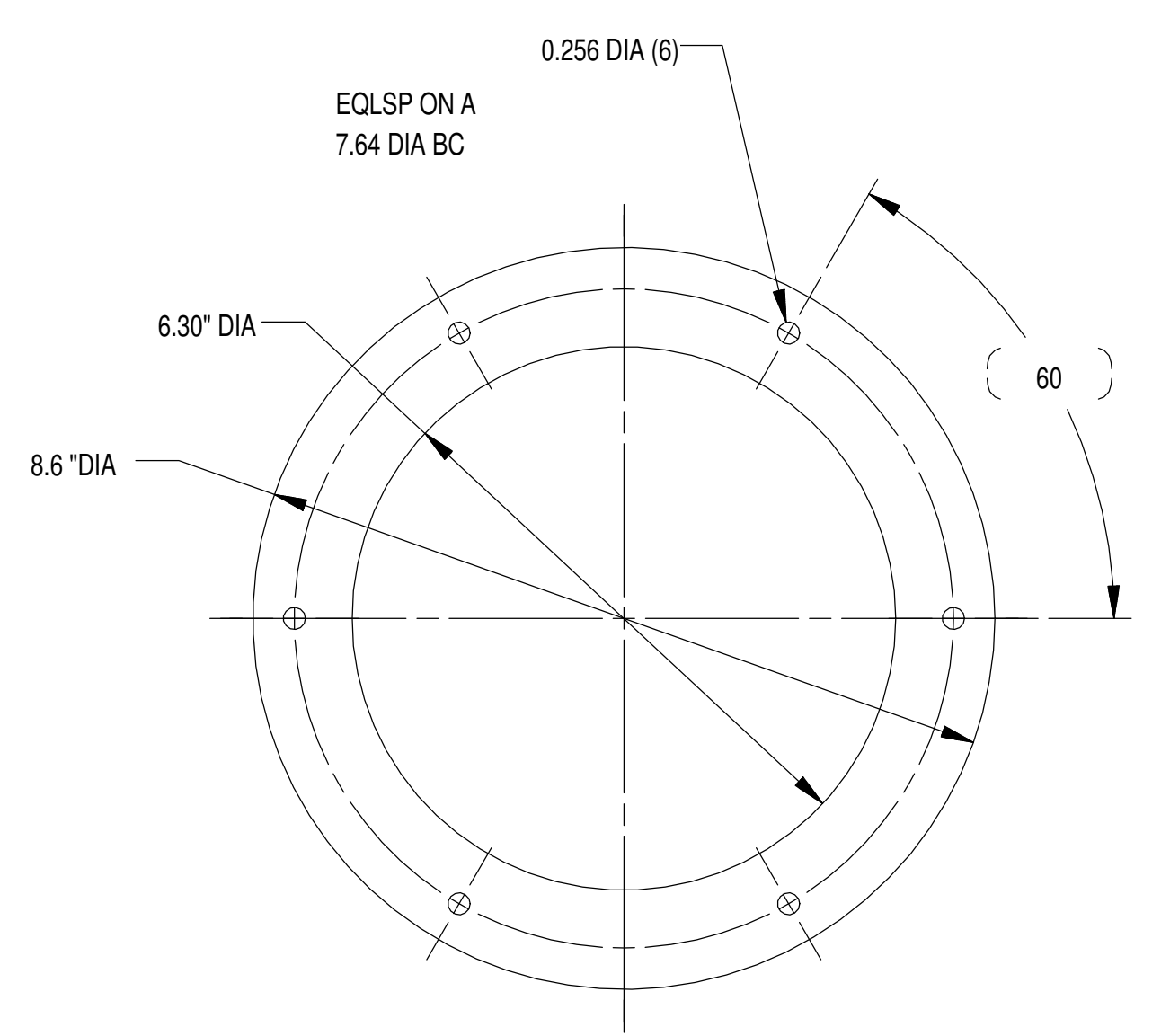
EX-ARM	A (FT)	B (FT)	C (FT)	D (FT)
6 IN X 10 FT	7.2	9.5	3	10.2

2 DUST COLLECTOR ARM DETAIL
SCALE: 1/2" = 1'-0"

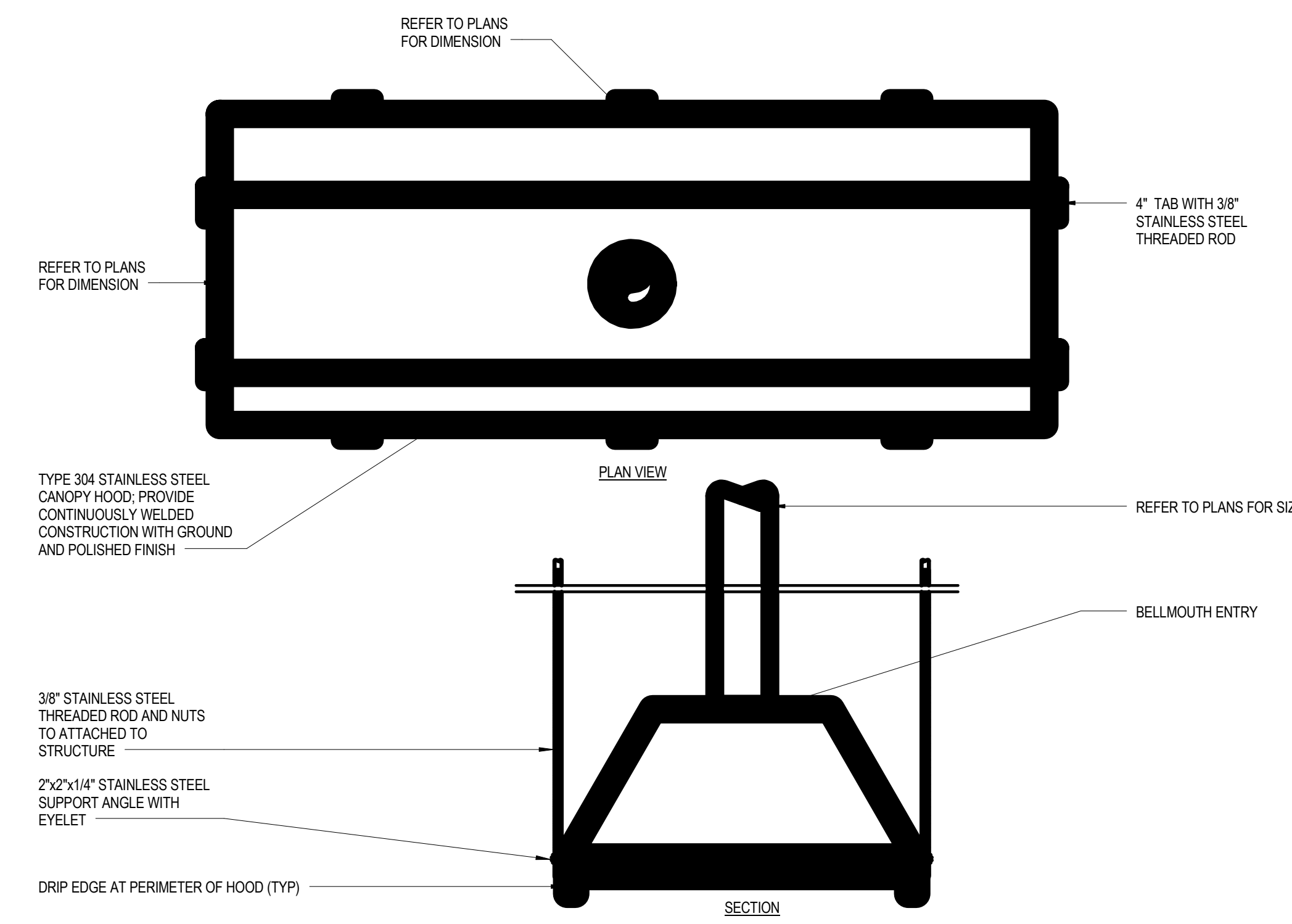


ARM LENGTH	DIA (IN)	A (IN)	B (IN)	C (IN)	L (FT)	WT (LBS)
10 FT	6	60	32.3	21	9.8	42

ALL DIMENSIONS AND WEIGHTS ARE APPROXIMATE



3 DETAIL - NON-ENCLOSED CANOPY HOOD
SCALE: 1/2" = 1'-0"



TYPE 304 STAINLESS STEEL CANOPY HOOD, PROVIDE CONTINUOUSLY WELDED CONSTRUCTION WITH GROUND AND POLISHED FINISH

3/8" STAINLESS STEEL THREADED ROD AND NUTS TO ATTACHED TO STRUCTURE

2"x2"x1/4" STAINLESS STEEL SUPPORT ANGLE WITH EYELET

DRIP EDGE AT PERIMETER OF HOOD (TYP)

NOTE:
1. WALL ANCHORS SHALL NOT BE USED FOR EXHAUST CANOPIES OVER EQUIPMENT WITH A BIOSEAL.
2. PROVIDE SEISMIC SWAY BRACINGS FOR ALL DUCTWORK/EQUIPMENT HANGERS PER THE INTERNATIONAL BUILDING CODE AND THE INTERNATIONAL MECHANICAL CODE.